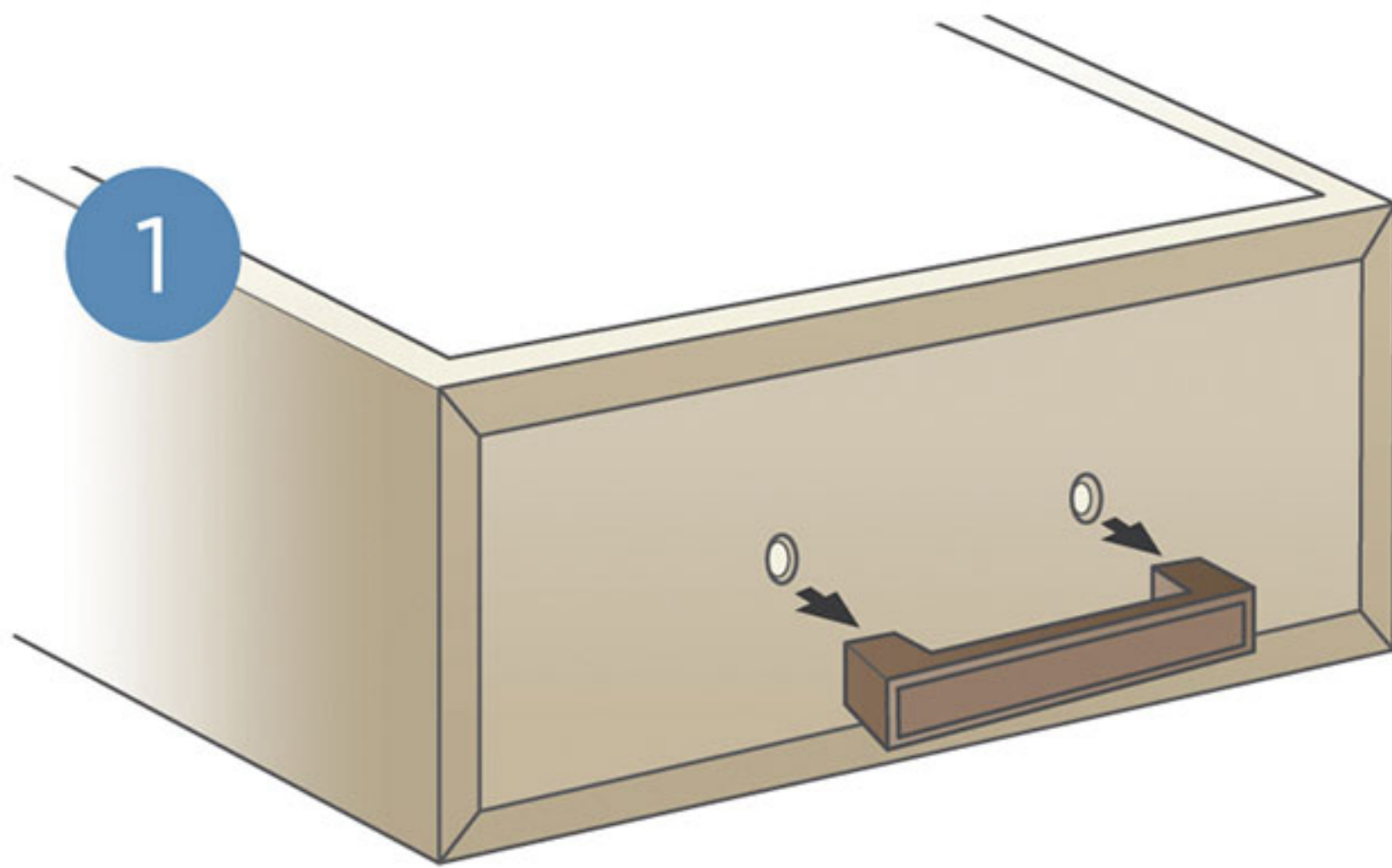
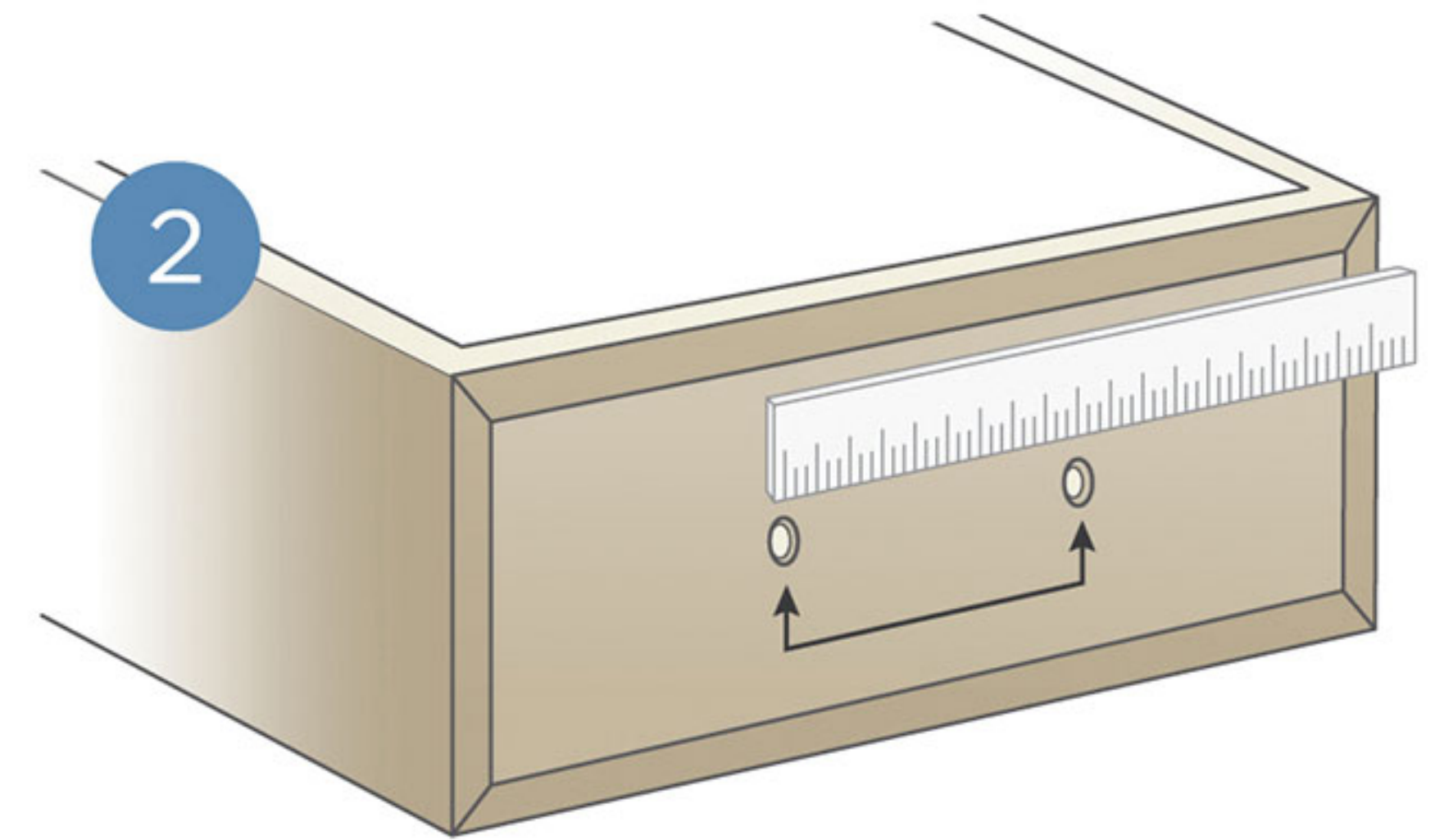


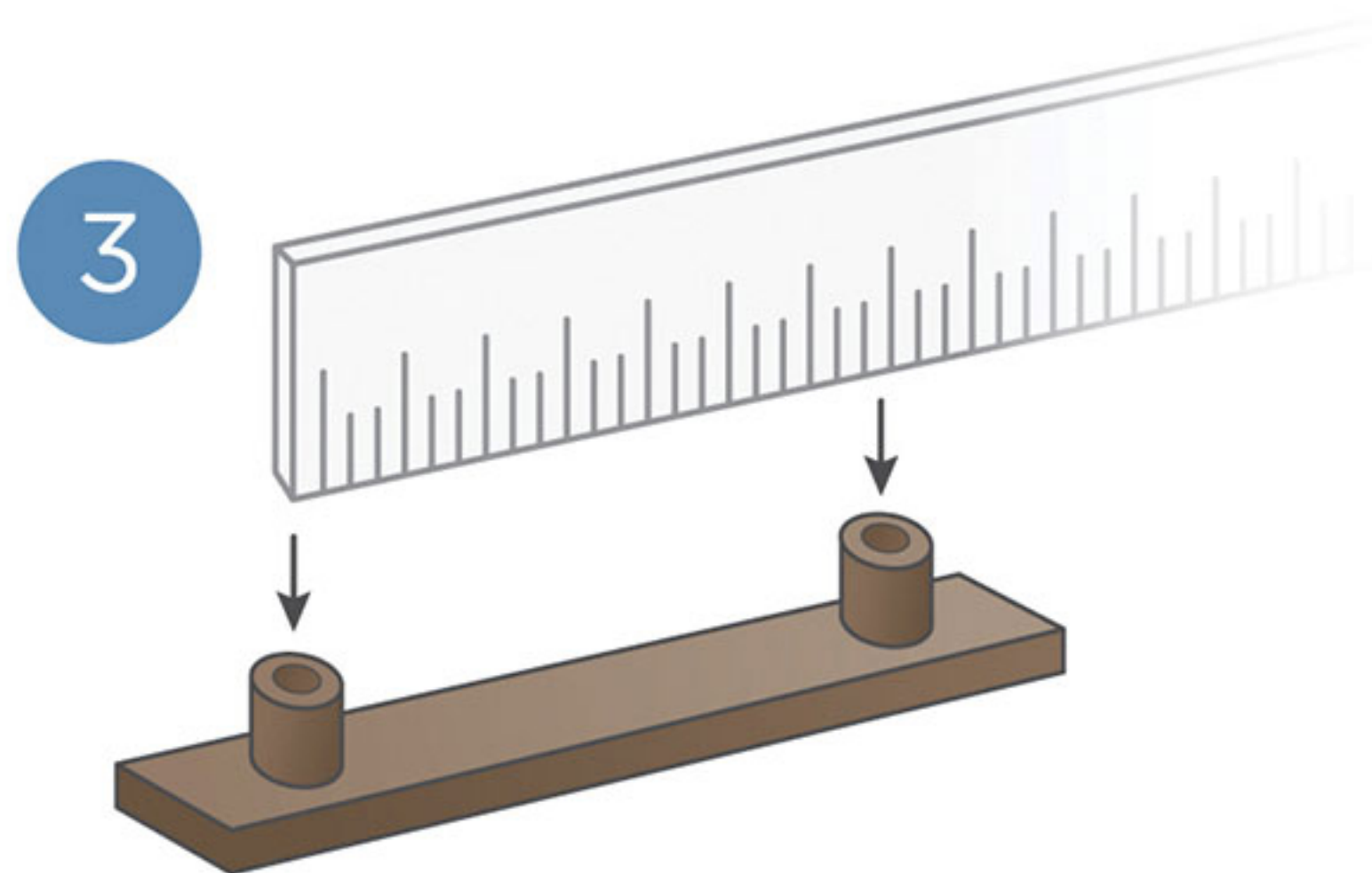
CABINET AND DRAWER PULL MEASUREMENT GUIDE



(AT HOME)
REMOVE OLD HARDWARE



(AT HOME)
MEASURE SCREW HOLES CENTER TO CENTER



MAKE SURE THE CENTER TO CENTER
DIMENSIONS OF THE CABINET PULL
MATCH THE SCREW HOLE DIMENSIONS

- Center to Center (CTC) is the distance between the center of the left and right screw holes
- The actual cabinet pull length may be longer than the center to center measurement