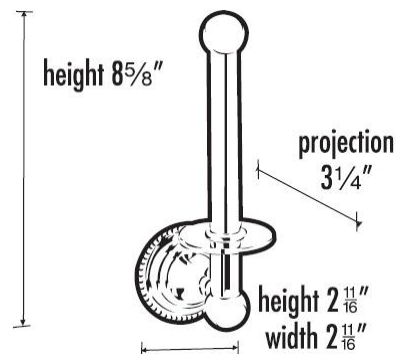


SPECIFICATIONS

REGENCY
RESERVE TISSUE HOLDER



FEATURES

Traditional styling
Multiple finishes
Concealed installation

WARRANTY

Limited lifetime

FINISHES

Polished Brass (PB)
Polished Brass/Non-lacquered (PB/NL)
Polished Chrome (PC)
Bronze (BRZ)
Satin Nickel (SN)

MATERIAL

Brass

Item#

A9167

NOTE: Dimensions and specifications are subject to change without notice.