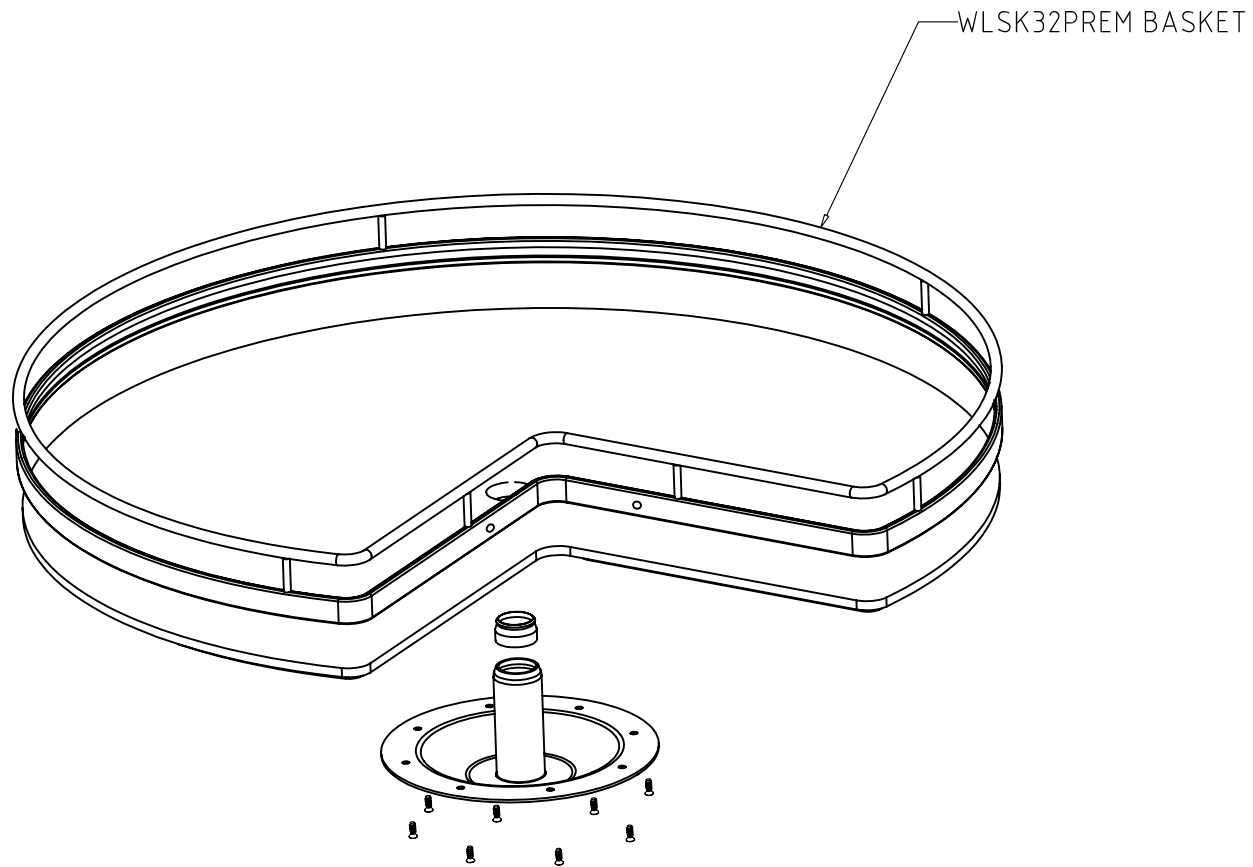

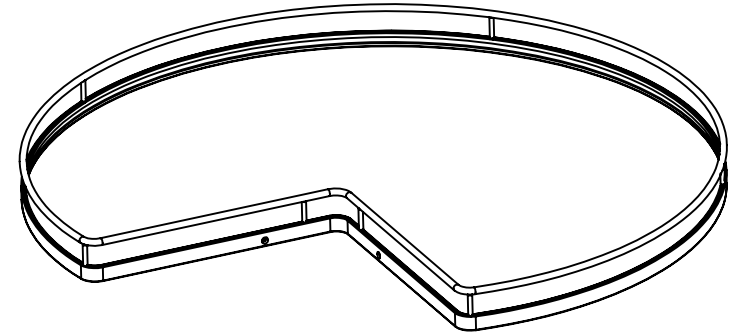
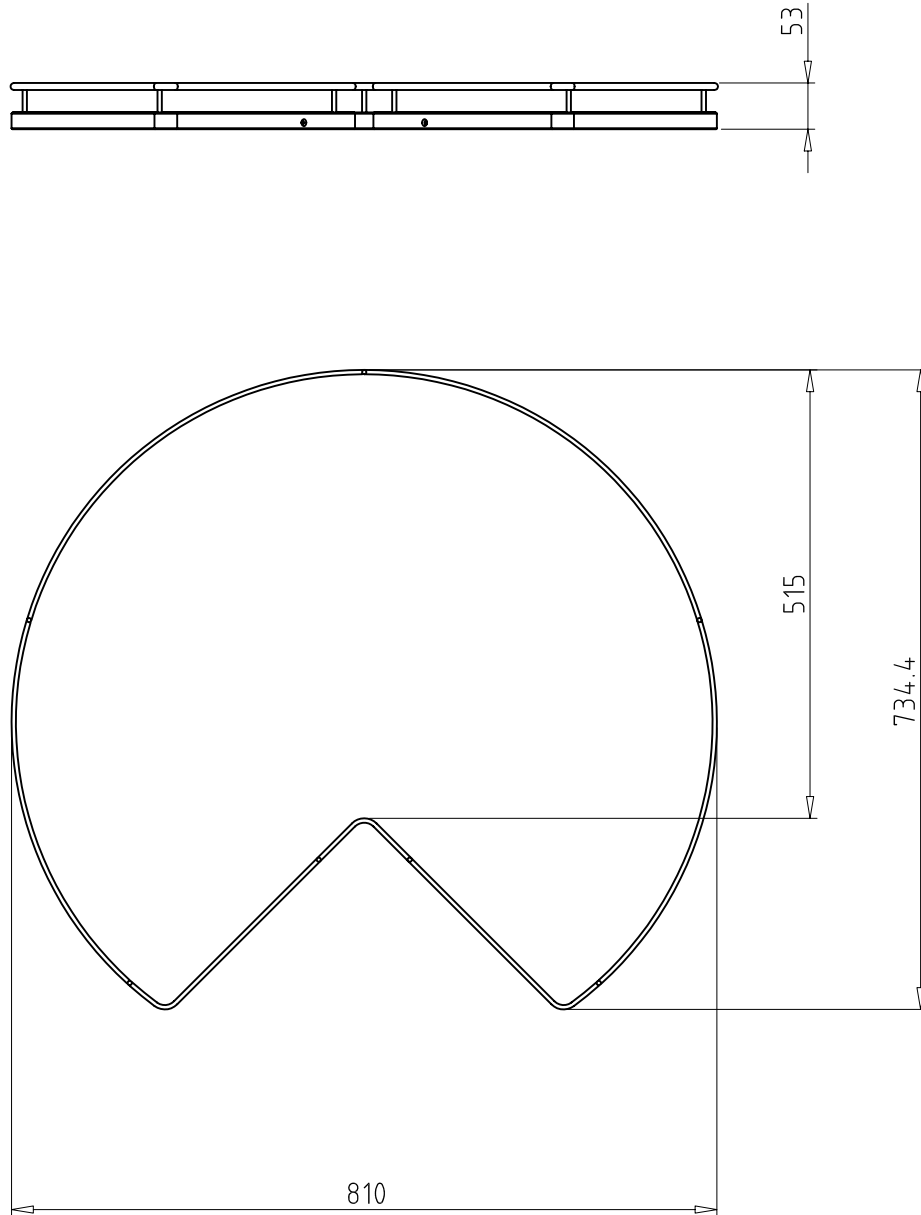
	ITEM#:	WLSK32PREM		MATERIAL:	
	FINISH:			WEIGHT:	g
PROPRIETARY AND CONFIDENTIAL THE INFORMATION CONTAINED IN THIS DRAWING IS THE SOLE PROPERTY OF HARDWARE RESOURCES INC. ANY REPRODUCTION IN PART OR AS A WHOLE WITHOUT THE WRITTEN PERMISSION OF HARDWARE RESOURCES INC. IS PROHIBITED.	TOLERANCE UNLESS OTHERWISE SPECIFIED:		UNIT:	DRAWN BY:	DATE:
	X: MM	±0.20	SIZE:	CHECKED BY:	DATE:
	X.X: MM	±0.10			
	X.XX: MM	±0.05	APPROVED BY:		DATE:
ANGULAR: ±0.5°		DO NOT SCALE DRAWING			



	ITEM#: WLSK32PREM BASKET WITH BOARD		MATERIAL:		
	FINISH:		WEIGHT: g		
PROPRIETARY AND CONFIDENTIAL THE INFORMATION CONTAINED IN THIS DRAWING IS THE SOLE PROPERTY OF HARDWARE RESOURCES INC. ANY REPRODUCTION IN PART OR AS A WHOLE WITHOUT THE WRITTEN PERMISSION OF HARDWARE RESOURCES INC. IS PROHIBITED.	TOLERANCE UNLESS OTHERWISE SPECIFIED:		UNIT:	DRAWN BY: <i>alan. liu</i>	DATE:
	X.: MM ±0.20		SIZE:	CHECKED BY:	DATE:
	X.X: MM ±0.10			APPROVED BY:	DATE:
	X.XX: MM ±0.05				
ANGULAR: ±0.5°		DO NOT SCALE DRAWING			





	ITEM#: WLSK32PREM BASKET		MATERIAL:		
	P/N: #		WEIGHT: g		
PROPRIETARY AND CONFIDENTIAL THE INFORMATION CONTAINED IN THIS DRAWING IS THE SOLE PROPERTY OF HARDWARE RESOURCES INC. ANY REPRODUCTION IN PART OR AS A WHOLE WITHOUT THE WRITTEN PERMISSION OF HARDWARE RESOURCES INC. IS PROHIBITED.	TOLERANCE UNLESS OTHERWISE SPECIFIED:		UNIT:	DRAWN BY: <i>alan. liu</i>	DATE:
	X.: MM ±0.20		SIZE:	CHECKED BY:	DATE:
	X.X: MM ±0.10			APPROVED BY:	DATE:
	X.XX: MM ±0.05				
ANGULAR: ±0.5°		DO NOT SCALE DRAWING			