



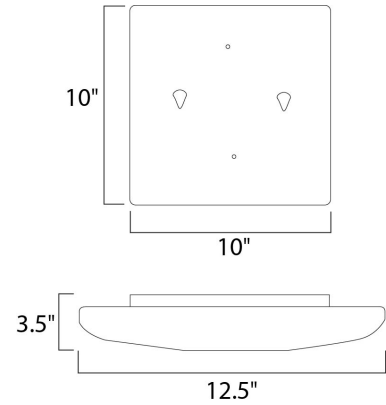
Lighting Your Life Since 1970

Product Specifications - 87205WT

Job Name:	Job Type:
Quantity:	Comments:



87205WT
Low Profile EE 1-Light Flush Mount



Finish
White

Glass/Shade
White

Product Category
Flush Mount

Lamping

Number of Bulbs	1
Light Type	Fluorescent
Bulb Type	4-Pin T9 Circline
Max Bulb Wattage	22
Max Fixture Wattage	22
Rated Life	±11,000 Hours
Rated Lumens	±1,050
Color Temp	±3,100 K
Bulb(s)	Included
Light Up/Down	N/A
Beam Spread	N/A
CRI	N/A
Photo Cell Included	N/A
Ballast/Driver/Transformer	Yes
Dimmable	No

Measurements

Width	11.00"
Height	2.50"
Length	N/A
Extension	N/A
Back Plate Width	10.00"
Back Plate Height	10.00"
HCO	N/A
Min Overall Height	0.00"
Max Overall Height	N/A
Hanging Weight	2.13 lbs
Height Adjustable	N/A
Slope	N/A
Chain Length	N/A
Wire Length	N/A
Canopy Width	N/A
Canopy Height	N/A
Canopy Length	N/A

Shipping

Carton Weight	2.64 lbs
Carton Width	13"
Carton Height	4"
Carton Length	14"
Carton Cubic Feet	0.37
Master Pack	6
Master Pack Weight	17.86 lbs
Master Pack Width	13.98"
Master Pack Height	14.57"
Master Pack Length	24.02"
Master Cubic Feet	2.83
UPS Shippable	Yes

Certification

Safety Rating	Damp
Energy Star	No
CA Title 24	Yes
CA Title 20	No
ADA	No
Dark Sky	N/A

Other

UPC Code	783209031906
Shades Included	N/A
Crystals Included	N/A
Diffuser Included	N/A
Conversion Kit	N/A
Material	Steel

Equivalents

Incandescent Watts	95
Fluorescent Watts	N/A

Maxim Lighting International and all designs, logos and images © 2015 Maxim Lighting International. All Rights Reserved. Maxim Lighting International reserves the right, at any time, to make changes in the design and/or construction of the product including the discontinuation of product without prior notice. Color may vary from what is pictured above due to limitations inherent to photographic processes.

Always consult a qualified, licensed electrician before installation of any product weighing 35 pounds or more. We recommend that a qualified, licensed electrician do the installation. Always install to a mechanically sound structure.