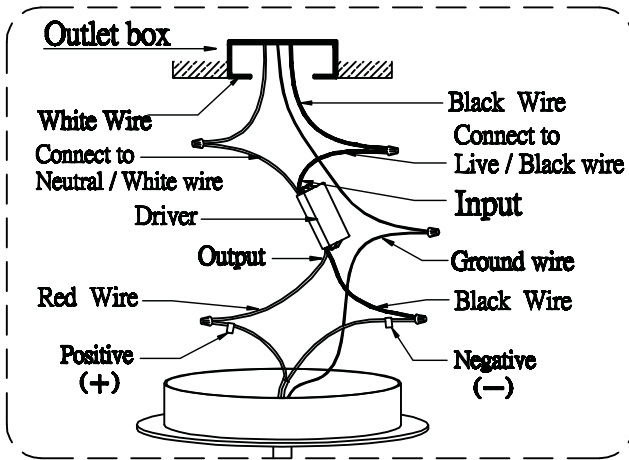


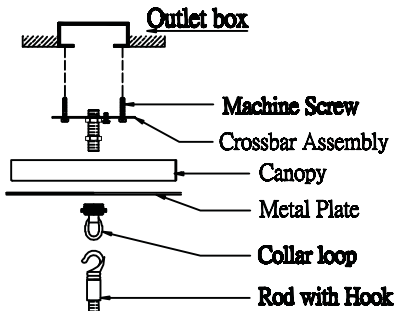
Diagram A



Turn off power at breaker for outlet fixtures is being installed to.

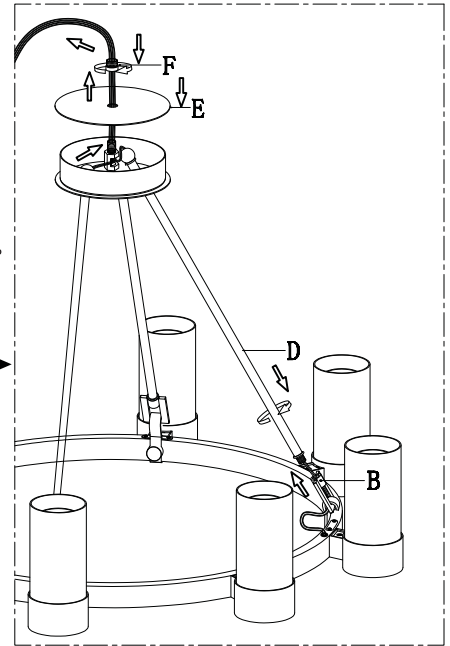
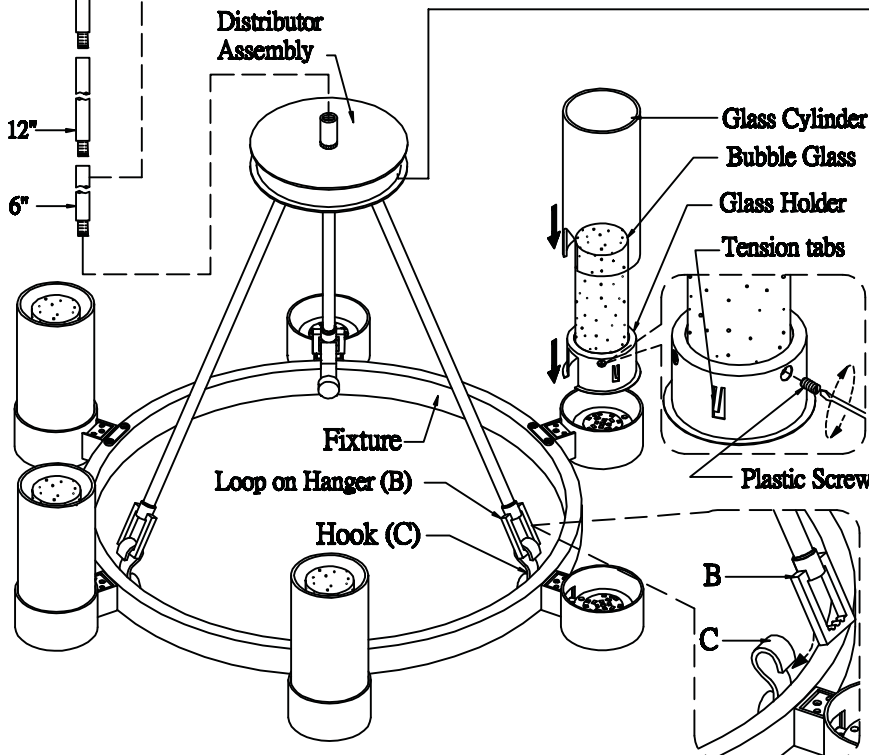
1. Install Crossbar assembly to outlet box using machine screw
2. Assemble the fixture per Diagram B.
3. Add 6" and 12" rod to the fixture to your desire height
4. Hook the Hanger Loop (B) onto Hook (C) on fixture
5. Attach Screw Collar Loop to Crossbar Assembly.
6. Wire fixture assembly per Diagram A
7. Install fixture assembly to Canopy by hanging the Hook on Rod to the Collar Loop and secure the Canopy and Metal Plate with the Collar Loop Ring.
8. Install bubble glass into glass holder and tighten plastic screw to secure
9. Insert glass holder into fixture casting
10. Insert glass cylinder into fixture casting*

Diagram B



*Pull out tension tabs to increase stability of glass cylinder if necessary

- a. Loosen (F) and (E).
- b. Tighten (D) and B together
- c. Pull the power cord up and lock (F)



The fixture is designed to dim with a standard Triac forward phase dimmer. Dimming levels will vary by dimmer. Below is a list of recommended dimmers:

- Lutron MACL-153M
- Lutron DVL-153P
- Lutron SCL-153P
- Leviton IPL06-10Z
- Leviton 6674-POW

Due to the inrush current wattage should not exceed 150 watts of product for a 600 watt dimmer.

Cleaning & Care:

You May use talcum powder and a soft cloth for cleaning. Do not use abrasive cleaner