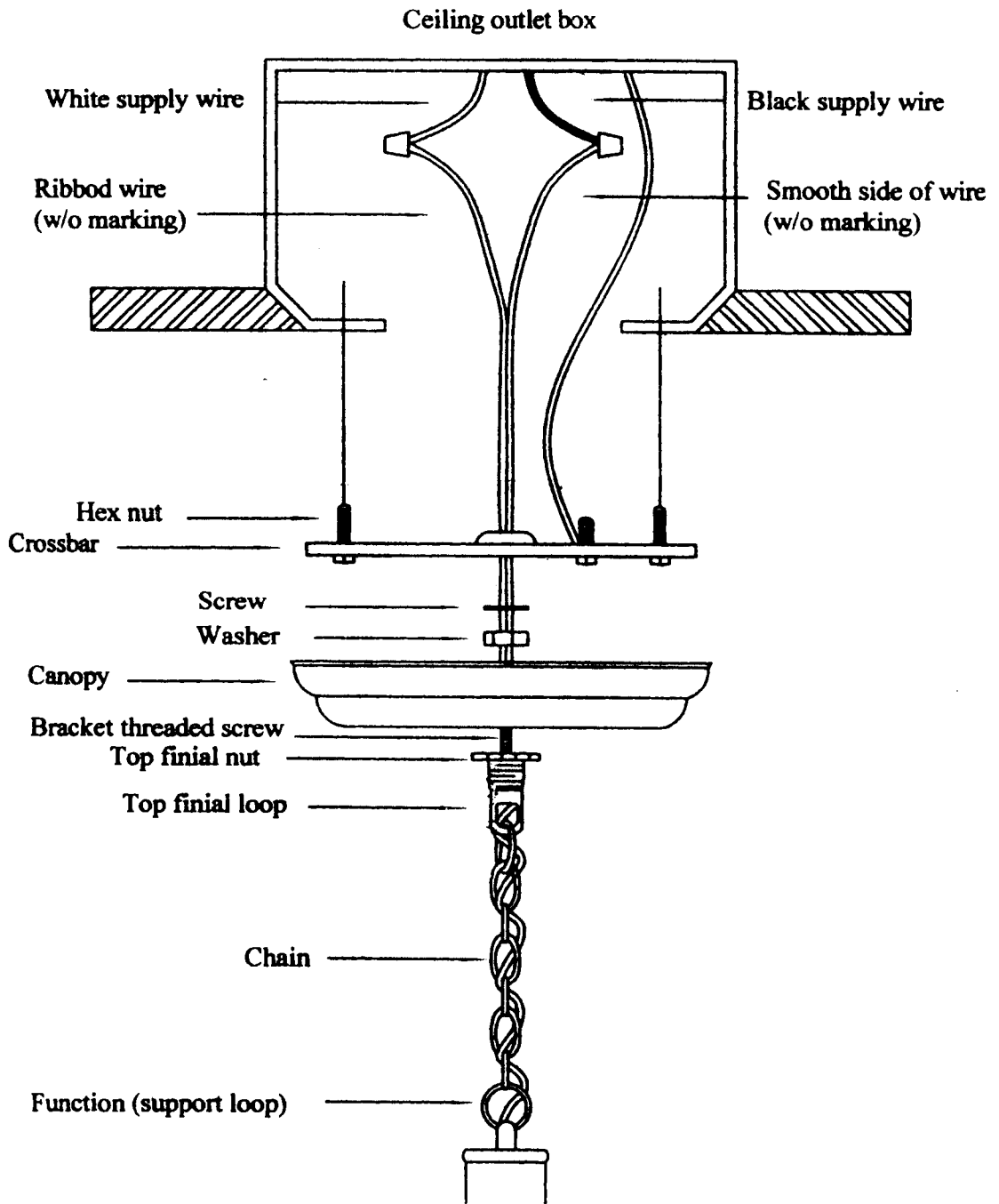
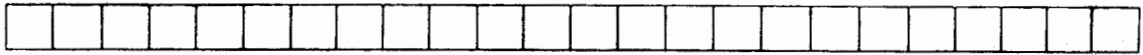


# Installation Instructions for Hanging System ,Ceiling



# READ & SAVE THESE INSTRUCTIONS



## INSTALLATION & OPERATION INSTRUCTIONS

### TOOLS & MATERIALS REQUIRED

- Blade screwdriver
- Wire cutters
- Adjustable wpsnch
- Wiring supplies as required by
- Stepladder
- Electrical code

**CAUTION:** Before assembling your Lighting fixture, refer to the section tale **ELECTRICAL CONNECTIONS**. If you feel you do not have electrical wiring experience, refer to a do-it-yourself wring handbook or have your fixture installed by a qualified licensed electrician.

### GENERAL

1. To ensure the sources of the installation, be sure to read these instructions and review the diagrams thoroughly before beginning.
2. All electrical connections must be in accordance with local codes, ordinances or the National Electrical Code. If you are unfamiliar with methods of installing electrical wiring, secure the services of a qualified licensed electrician.
3. These fixtures are intended to be mounted to a 4"\*2'/8" deep metal octagon outlet box. The box must be directly supported by the building structure.
4. Before starting the installation, disconnect the power by turning off the circuit breaker or by removing the fuse at the fuse box. Turning the power off using the light switch is not sufficient to Prevent electrical shock.

**NOTE:** The important safeguards and instructions appearing in this manual are not meant to cover all possible conditions and sections that may occur, It must be understood that common sense, caution. And cares are factors that cannot be built into any product. These factors must be supplied by the person(s) caring for and operating the fixture.

### UNPACK THE FIXTURE

Check the contents of the box. You should receive:

- Mounting hardware Package
- Glass diffusers(not supplied on all models)
- Plastic tip covers (one for each diffuser, not supplied on all models)
- Fixture assembly

### PREPARE THE FIXTURE

#### NOTE: FIRSTTURN OFF ELECTRICITY ADJUST THE CROSS BAR

Refer to figure I for illustration of fixture parts and assembly

1. If you are replacing an existing fixture, disconnect and remove the old fixture. Expose the supply wiring from the outlet box.
2. Fasten the mounting bracket to the outlet box using the two screw supplied with the outlet box. If the threaded stem is not attached to the mounting bracket, secure the

stem with the lock washer and nut provided.

3. Attach the finial (support loop) to the top part of the fixture. Turn the finial at least 3 complete turns to ensure proper securement.
4. Attach the chain to the finial (support loop) on the top of the fixture. Adjust the chain length by removing one link at a point best sulted to the location and required distance form the ceiling weave the wires through the china links. Attach the chain to the top finial loop. Place finial nut and canopy down the fixture chain. Thread the wires up through the finial loop.
5. Raise the fixture to the ceiling and weave the electrical wire through mounting bracket-threaded stem. Secure the top finial loop to the threaded stem by screwing loop into stem. Turn the loop at least 3 complete turns to ensure proper mounting. Now you are ready to make electrical connections.
6. Make electrical connections-SEE BELOW

### ELECTRICAL CONNECTIONS

To make electrical connections:

Cut excess wire leaving six inches for electrical connections Split the wires into two separate leads, Connect the half of the STT cord that is ribbed surface. To the white wire of the supply circuit. Connect the smooth half of the wire (the half with markings) to the black wire of the supply circuit. Connect the bare copper wire to the grounding conductor of the supply circuit Use U.L. Listed wire connectors suitable for the sizes, type and number of conductors. No loose strands or loose connections should be present. Secure wire connectors with U.L. Listed electrical tape.

### FINAL ASSEMBLY

1. Spread the electrical splices so that the black wires are on one side of the outlet box and the white wires are on the other side.
2. Raise ceiling canopy and finial nut up to ceiling and secure to final loop.
3. Make sure the weight of the chandelier is supported by the chain the electrical cord. If you install hooks for swag, they too must engage the chain only. Installation of this type should not be made on a miiant heating type casting.
4. Install light bulbs (not provided). **CAUTION:** Refer to the relamping label, located near the lamp holder. For recommended wattage-do not exceed recommended wattage.
5. Hang glass diffusers. Place plastic tips on ends of definer hooks. (Not on all models)
6. Restore electricity and check the operation of you new lighting fixture.

