

CRAFTMADE

LIGHTING

Parker: #44476-FSSB

PLEASE READ AND SAVE FOR FUTURE REFERENCE.

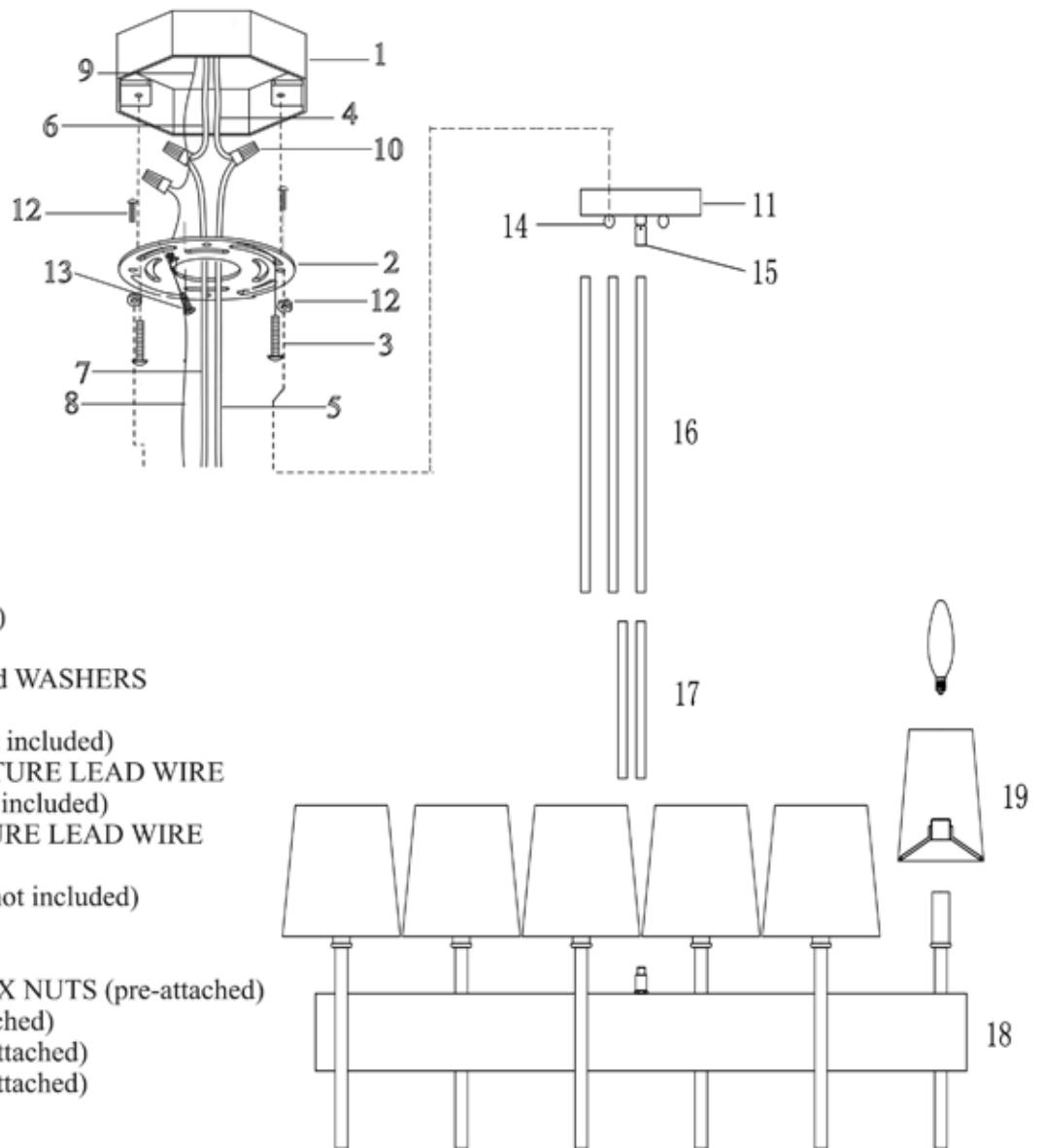
CAUTION

1. Turn off the main power at the circuit breaker before installing the fixture in order to prevent possible shock.
2. All electrical connections must be in accordance with local and National Electrical Code (N.E.C.) standards. If you are unfamiliar with proper electrical wiring connections, obtain the services of a qualified electrician.

GENERAL

Remove all parts and hardware from the box and make sure that none are missing by referencing the illustrations provided.

Bulb Required (not included): 1 Candelabra Base 60 Watt Max. (For 6LT)



6-LIGHT MINI PENDANT

1. OUTLET BOX (not included)
2. MOUNTING PLATE
3. OUTLET BOX SCREWS and WASHERS
(pre-attached to outlet box)
4. BLACK SUPPLY WIRE (not included)
5. SMOOTH (or BLACK) FIXTURE LEAD WIRE
6. WHITE SUPPLY WIRE (not included)
7. RIBBED (or WHITE) FIXTURE LEAD WIRE
8. FIXTURE GROUND WIRE
9. SUPPLY GROUND WIRE (not included)
10. WIRE CONNECTORS
11. CANOPY
12. FIXTURE SCREWS and HEX NUTS (pre-attached)
13. GROUND SCREW (pre-attached)
14. DECORATIVE NUTS (pre-attached)
15. SWIVEL ASSEMBLY (pre-attached)
16. 12 INCH RODS
17. 6 INCH RODS
18. BODY
19. SHADE