

# CRAFTMADE

## LIGHTING

**Ella Vanity#:44602-PLN/44602-SB/44603-PLN/44603-SB  
#: 44604-PLN/44604-SB/44605-PLN/44605-SB**

**PLEASE READ AND SAVE FOR FUTURE REFERENCE.**

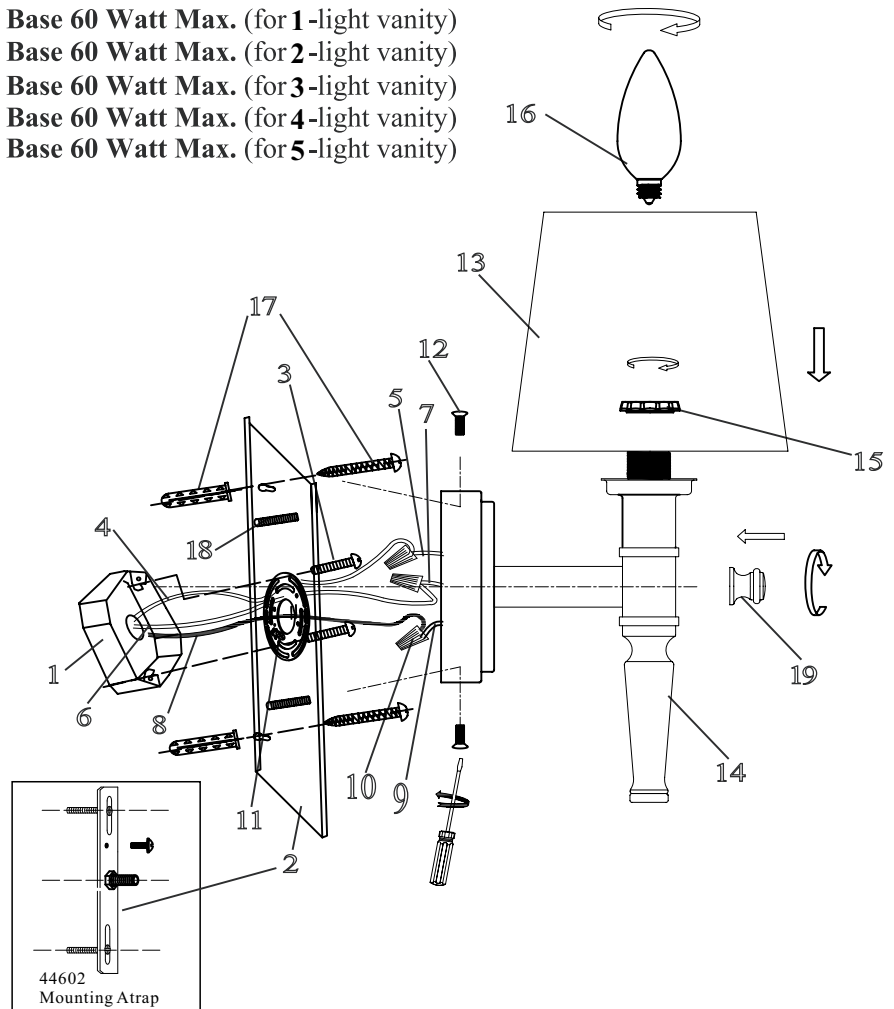
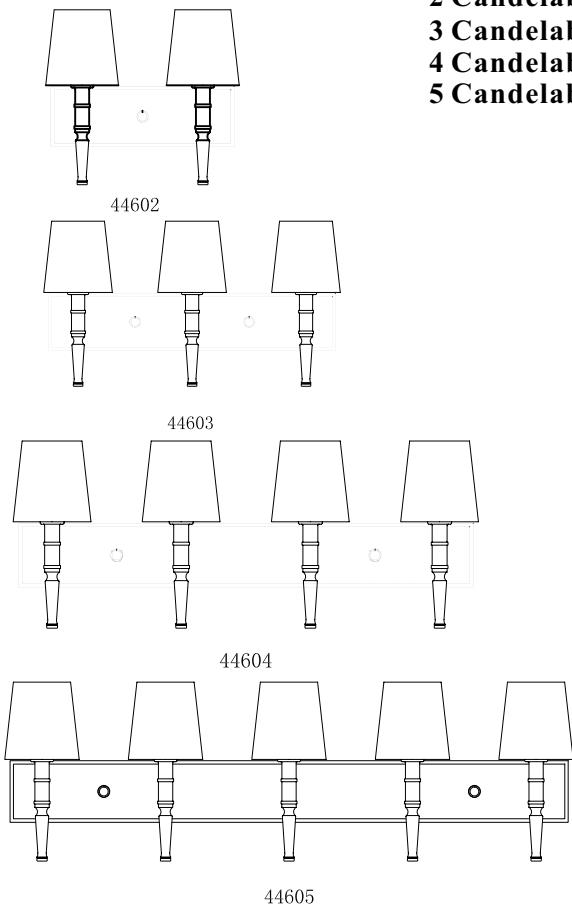
### CAUTION

1. Turn off the main power at the circuit breaker before installing the fixture in order to prevent possible shock.
2. All electrical connections must be in accordance with local and National Electrical Code (N.E.C.) standards. If you are unfamiliar with proper electrical wiring connections, obtain the services of a qualified electrician.

### GENERAL

Remove all parts and hardware from the box and make sure that none are missing by referencing the illustrations provided.

**Bulbs Required (not included):** **1 Candelabra Base 60 Watt Max.** (for 1-light vanity)  
**2 Candelabra Base 60 Watt Max.** (for 2-light vanity)  
**3 Candelabra Base 60 Watt Max.** (for 3-light vanity)  
**4 Candelabra Base 60 Watt Max.** (for 4-light vanity)  
**5 Candelabra Base 60 Watt Max.** (for 5-light vanity)



### Ella Vanity-2,3,4,,5 Light

- |  |   |
|--|---|
| 1. OUTLET BOX (not included)                                     | 10. WIRE CONNECTORS                       |
| 2. MOUNTING STRAP (pre-attached)                                 | 11. GROUND SCREW (pre-attached)           |
| 3. OUTLET BOX SCREWS and WASHERS<br>(pre-attached to outlet box) | 12. FIXTURE SCREWS (4LT&5LT pre-attached) |
| 4. BLACK SUPPLY WIRE (not included) E                            | 13. SHADES                                |
| 5. SMOOTH (or BLACK) FIXTURE LEAD WIR                            | 14. FIXTURE                               |
| 6. WHITE SUPPLY WIRE (not included)                              | 15. SOCKET RINGS (pre-attached)           |
| 7. RIBBED (or WHITE) FIXTURE LEAD WIRE                           | 16. BULB(not included)                    |
| 8. SUPPLY GROUND WIRE (not included)                             | 17. ANCHOR&SCREWS(4LT&5LT pre-attached)   |
| 9. FIXTURE GROUND WIRE   | 18. SCREWS(pre-attached)                  |
|  | 19. DECORATIVE NUTS (pre-attached)        |