

# Jeremiah

LIGHTING **by Craftmade**

**SIRCLE #44713-BNK / #44713-OB / #44713-PAB**  
**#44717-BNK / #44717-OB / #44717-PAB**

**PLEASE READ AND SAVE FOR FUTURE REFERENCE.**

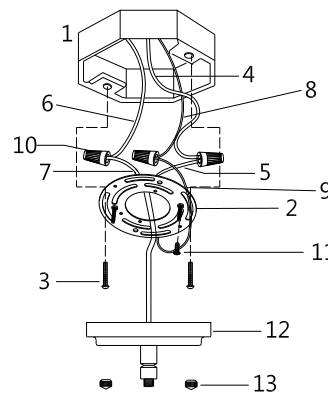
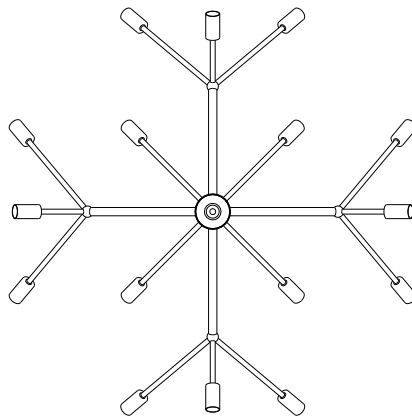
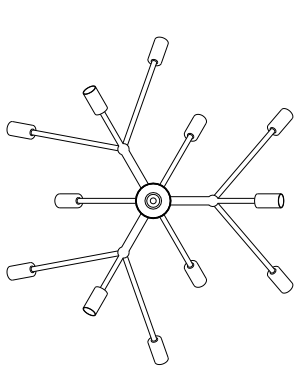
## CAUTION

1. Turn off the main power at the circuit breaker before installing the fixture in order to prevent possible shock.
2. All electrical connections must be in accordance with local and National Electrical Code (N.E.C.) standards. If you are unfamiliar with proper electrical wiring connections, obtain the services of a qualified electrician.

## GENERAL

Remove all parts and hardware from the box and make sure that none are missing by referencing the illustrations provided.

**Bulbs Required (not included): 13 Medium Base 60 Watt Max. (For 13-light chandelier)**  
**17 Medium Base 60 Watt Max. (For 17-light chandelier)**



## 13-LIGHT CHANDELIER 17-LIGHT CHANDELIER

1. OUTLET BOX (not included)
2. MOUNTING STRAP (pre-attached)
3. OUTLET BOX SCREWS and WASHERS (pre-attached to outlet box)
4. BLACK SUPPLY WIRE (not included)
5. SMOOTH (or BLACK) FIXTURE LEAD WIRE
6. WHITE SUPPLY WIRE (not included)
7. RIBBED (or WHITE) FIXTURE LEAD WIRE
8. SUPPLY GROUND WIRE (not included)
9. FIXTURE GROUND WIRE
10. WIRE CONNECTORS
11. GROUND SCREW (pre-attached)
12. CANOPY
13. DECORATIVE NUT (pre-attached)
14. STEM
15. FIXTURE

