

# CRAFTMADE

## LIGHTING

Forjado #46292-FS / #46293-FS

**PLEASE READ AND SAVE FOR FUTURE REFERENCE.**

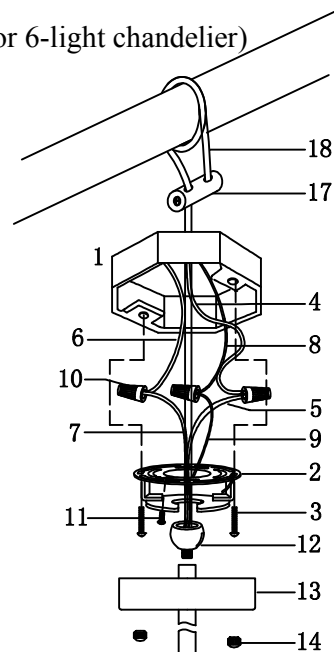
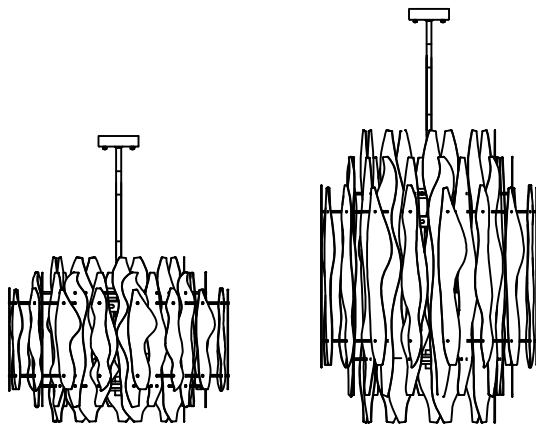
### CAUTION

1. Turn off the main power at the circuit breaker before installing the fixture in order to prevent possible shock.
2. All electrical connections must be in accordance with local and National Electrical Code (N.E.C.) standards. If you are unfamiliar with proper electrical wiring connections, obtain the services of a qualified electrician.

### GENERAL

Remove all parts and hardware from the box and make sure that none are missing by referencing the illustrations provided.

**Bulbs Required (not included): 6 Medium Base 60 Watt Max.** (For 6-light chandelier)



### 6-LIGHT CHANDELIER

1. OUTLET BOX (not included)
2. MOUNTTN STRAP (pre-attached)
3. OUTLET BOX SCREWS and WASHERS (pre-attached to outlet dox)
4. BLACK SUPPLY WIRE (not included)
5. SMOOTH (or BLACH) FLXTURE LEAD WTRE
6. WHITE SUPPLY WIRE (not included)
7. RIBBED (or WHITE) FIXTURE LEAD WIRE
8. SUPPLY GROUND WIRE (not included)
9. FIXTURE GROUND WIRE
10. WIRE CONNECTORS
11. GROUND SCREW (pre-attached)
12. JOINTER
13. CANOPY
14. DECORATIVE NUT (pre-attached)
15. STEM
16. FIXTURE
17. CLAMPS
18. SUPPORT CABLE

