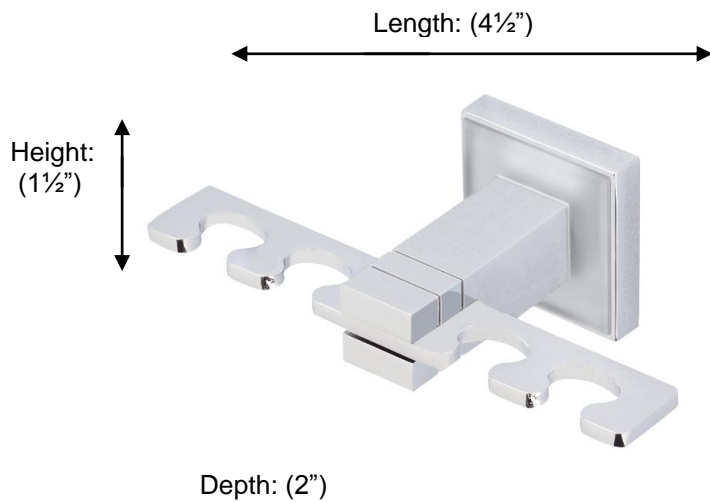


CUBIS PLUS

67435 Toothbrush Holder

**Description:**

Toothbrush holder

Finishes:

CR – Chrome

ES – Satin Nickel

Material:

Brass

Backplate Dimension: (1 1/2")**Method of Fixing:**

Direct to wall

Country of Origin:	Portugal
---------------------------	----------



All Dimensions are approximate