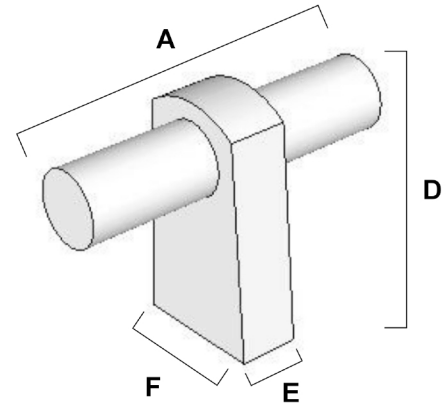
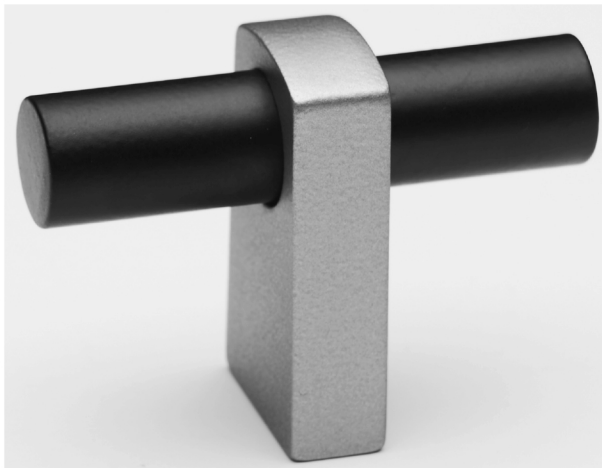


**SPECIFICATIONS**

**VITA BELLA  
KNOBS**



**FEATURES**

Transitional styling  
Multiple finishes  
Concealed installation

**WARRANTY**

Limited lifetime

**FINISHES**

Matte Black (MB)  
Champagne (CHP)  
Matte Nickel (MN)  
Champagne/Matte Black (CHP/MB)  
Matte Nickel/Matte Black (MN/MB)

**MATERIAL**

Aluminum

Item#	A	B	C	D	E (L)	F (W)
A2901	1 3/4"		3/8"	1 1/4"	1/4"	11/16"

**KEY:**

- A - Overall Length
- B - Center to Center
- C - Width
- D - Projection
- E - Mount Length
- F - Mount Width

NOTE: Dimensions and specifications are subject to change without notice.