

SPECIFICATIONS

LINEAR

Single Post Tissue Holder w/ Glass Shelf



FEATURES

Contemporary styling
Multiple finishes

WARRANTY

Limited lifetime

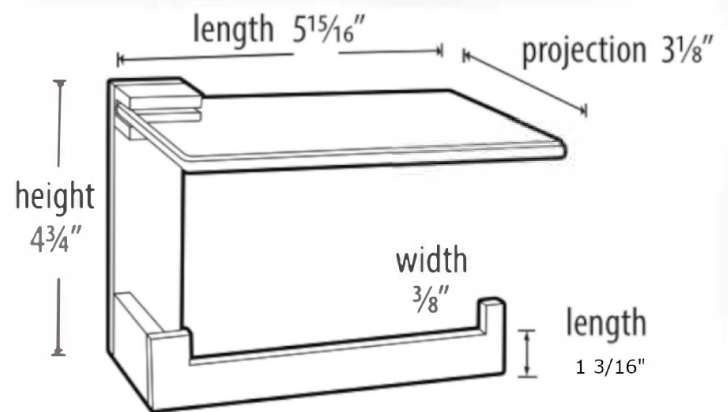
FINISHES

Matte Black (MB)
Polished Brass (PB)
Polished Brass/Non-lacquered (PB/NL)
Polished Chrome (PC)
Polished Nickel (PN)
Satin Brass (SB)
Satin Nickel (SN)

MATERIAL

Brass

PRODUCT SHEET



Item#

A6465R

NOTE: Dimensions and specifications are subject to change without notice.