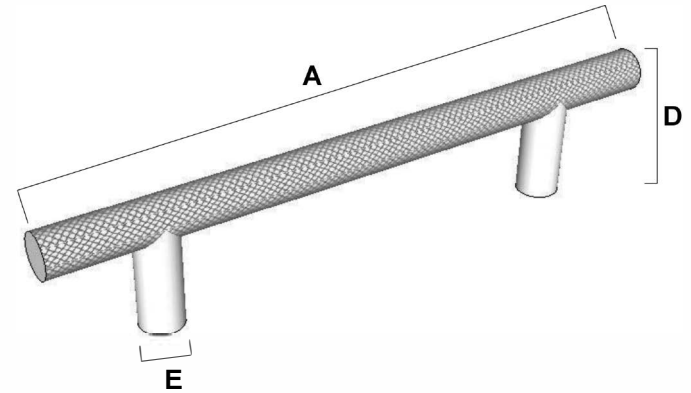
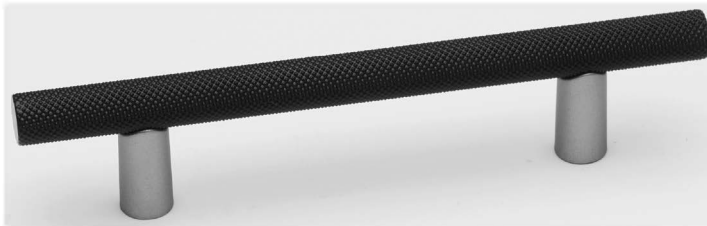


**SPECIFICATIONS**

**VITA BELLA  
PULLS**



**FEATURES**

Transitional styling  
Multiple finishes  
Concealed installation

**WARRANTY**

Limited lifetime

**FINISHES**

Matte Black (MB)  
Champagne (CHP)  
Matte Nickel (MN)  
Champagne/Matte Black (CHP/MB)  
Matte Nickel/Matte Black (MN/MB)

**MATERIAL**

Aluminum

Item#	A	B	C	D	F (W)
D2902-12	14 3/4"	12"	5/8"	2-3/64"	5/8"

**KEY:**

- A - Overall Length
- B - Center to Center
- C - Width
- D - Projection
- E - Mount Length
- F - Mount Width

NOTE: Dimensions and specifications are subject to change without notice.