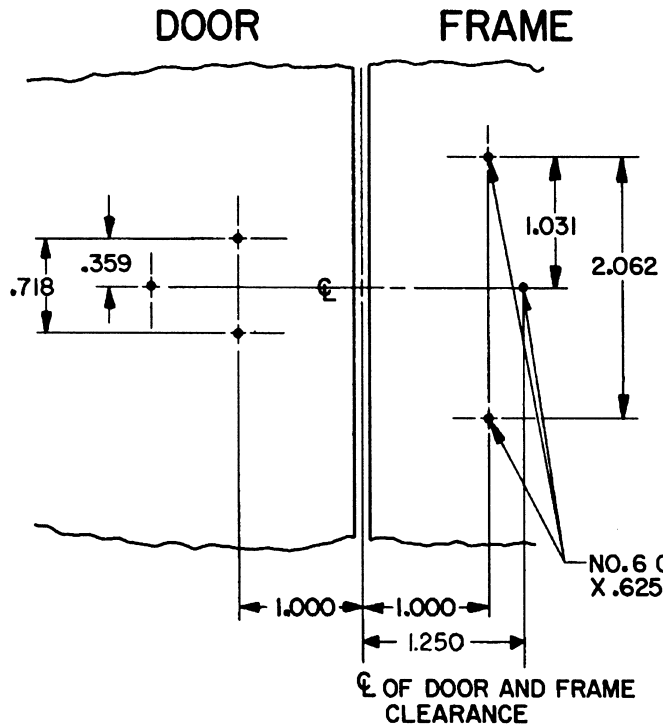
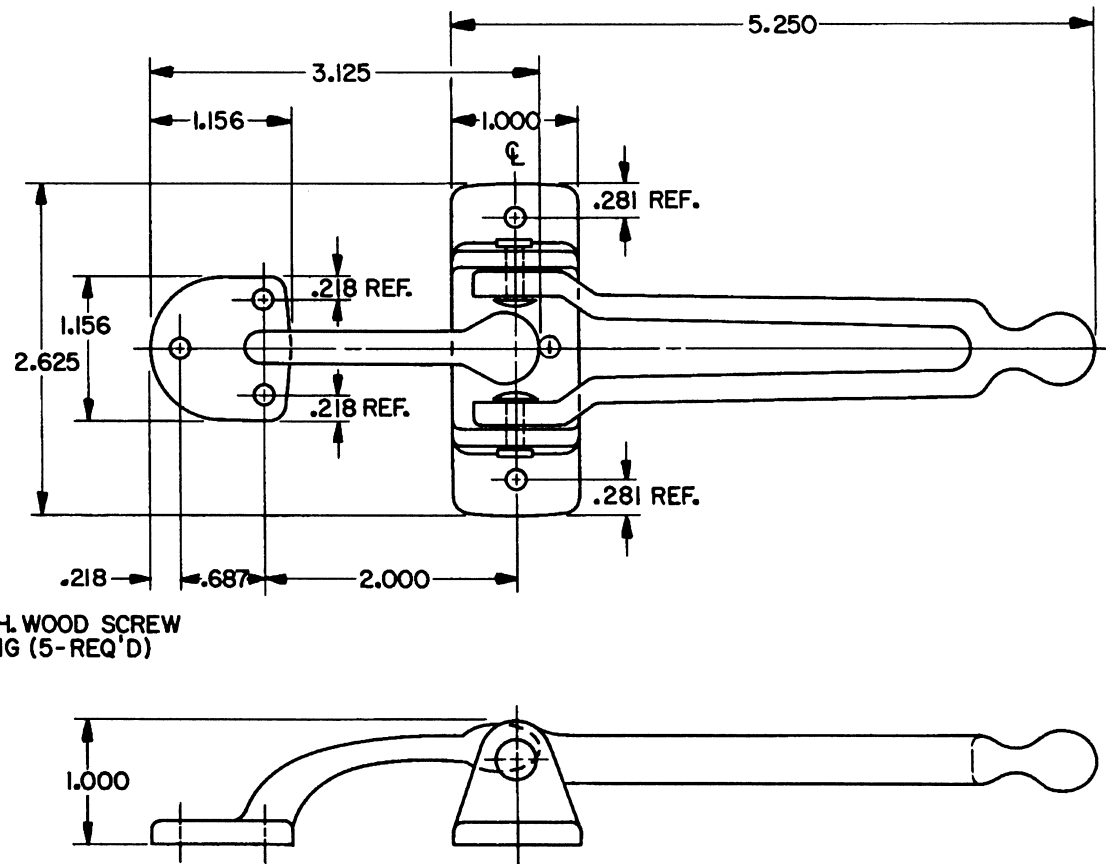


DOOR AND FRAME DETAIL



NO. 6 OH. PH. WOOD SCREW
X .625 LONG (5-REQ'D)

DOOR GUARD DETAIL



EFFECTIVE: 2-1-93

B. BALDWIN	
0250 SECURITY DOOR GUARD	
TEMPLATE NO. VARIATIONS	TEMPLATE NO.
	A100

DO NOT SCALE DRAWING

©1993 by Baldwin Hardware Corporation