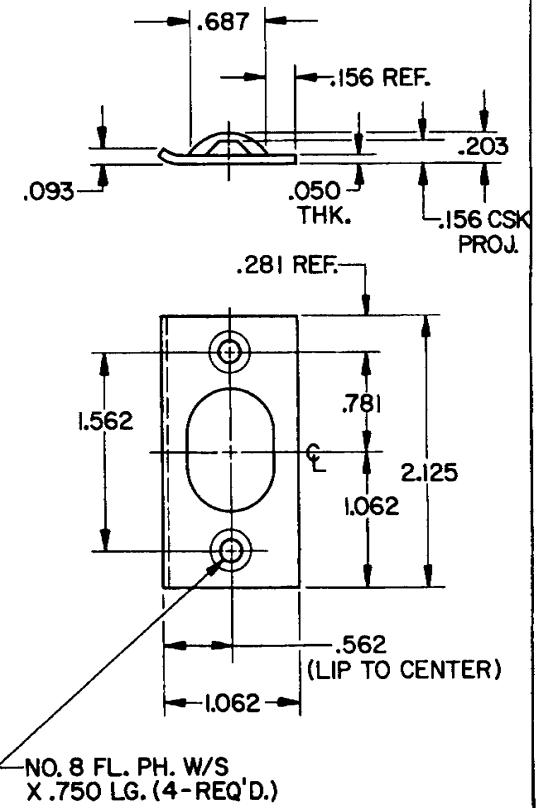
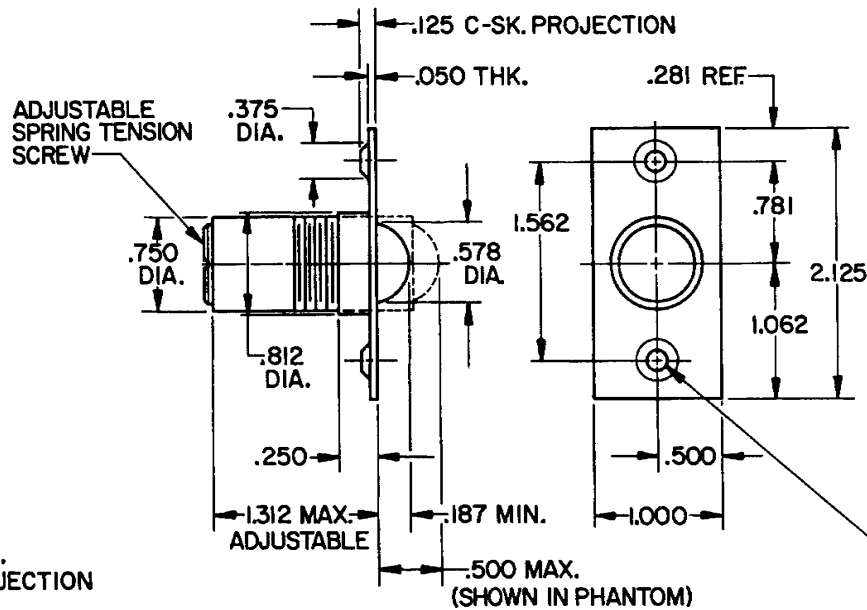
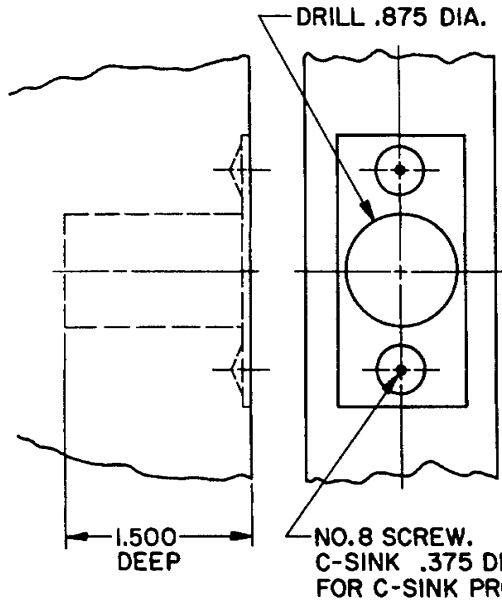


# DOOR DETAIL

# CATCH DETAIL

# STRIKE DETAIL



NOTE:  
1.) RECOMMENDED FOR USE WHEN CATCH IS FITTED IN THE JAMB.

EFFECTIVE: 5-1-88 R.A.D.

<b>BALDWIN</b>	
<b>0425 ADJ. BALL CATCH</b>	
TEMPLATE NO. VARIATIONS	TEMPLATE NO.
	<b>A179</b>

DO NOT SCALE DRAWING

©1988 by Baldwin Hardware Corporation