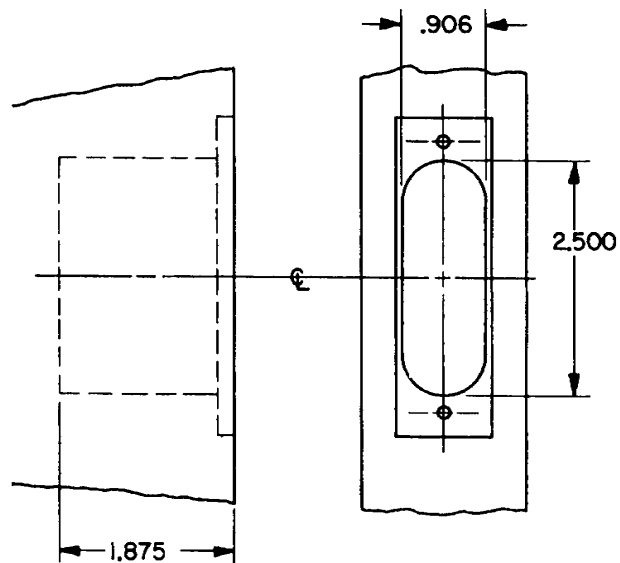
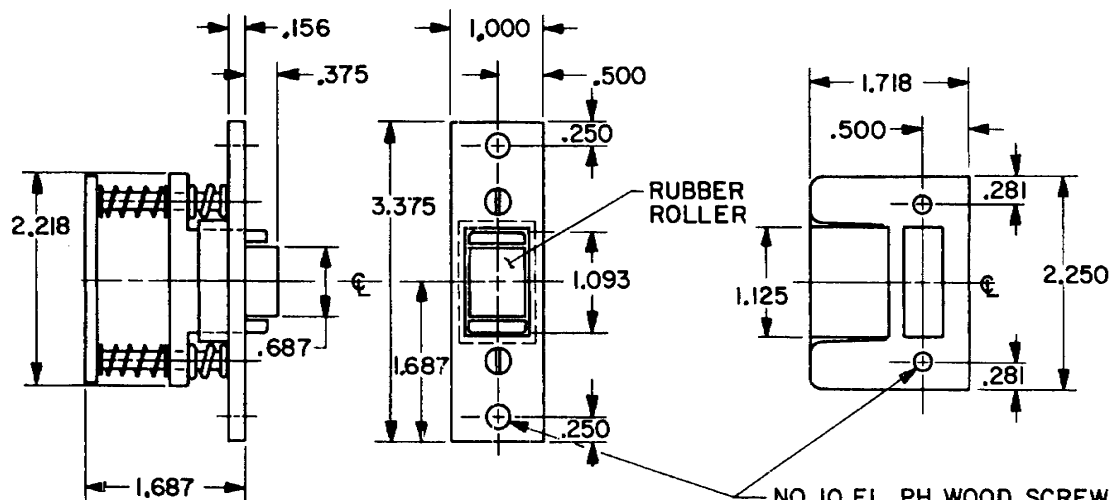
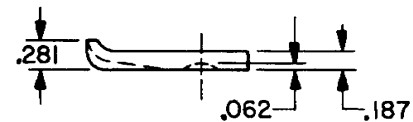
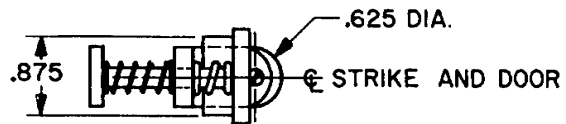


DOOR DETAIL



LATCH DETAIL



NO. 10 FL. PH. WOOD SCREW X 1.000 LONG (FOR WOOD DOORS)
 NO. 10-24 FL. PH. UC. MACHINE SCREW X .500 LONG (FOR METAL DOORS)

EFFECTIVE: 9-1-86 RA

DO NOT SCALE DRAWING

B. BALDWIN	
0430 ROLLER LATCH	
TEMPLATE NO. VARIATION: A197, A198, A199, A200, A201	TEMPLATE NO. A196