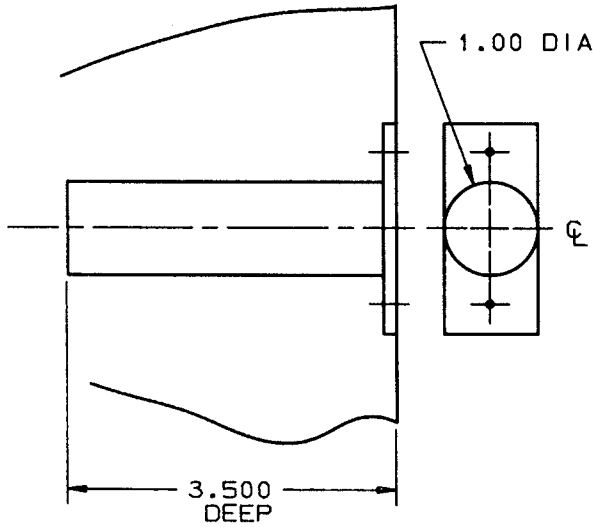
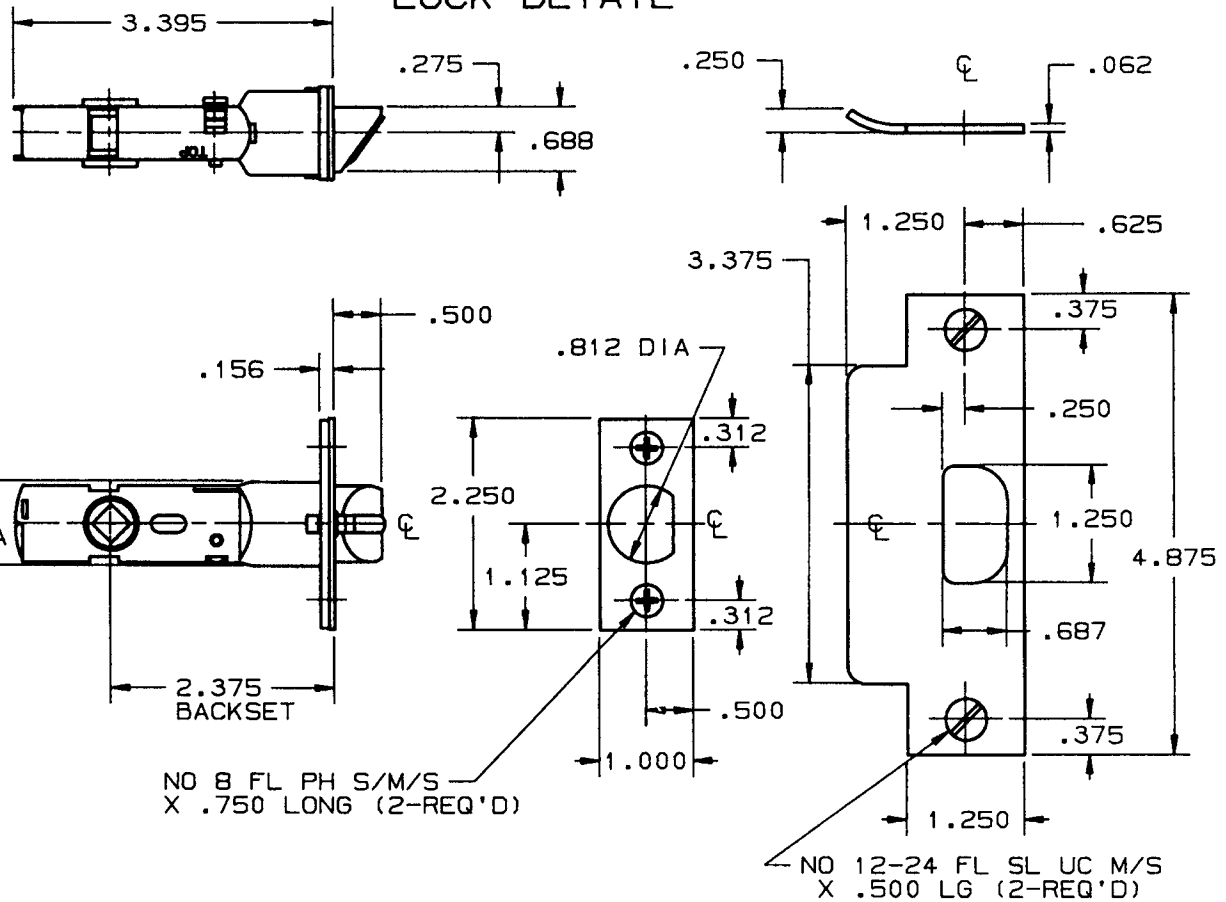


DOOR DETAIL



CL STRIKE, LATCH,  
AND DOOR

LOCK DETAIL



NO 8 FL PH S/M/S  
X .750 LONG (2-REQ'D)

NO 12-24 FL SL UC M/S  
X .500 LG (2-REQ'D)

NOTE:  
1. SEE SPECIFIC TRIM TEMPLATE FOR  
ADDITIONAL DOOR CUTOUT DETAILS.

DO NOT SCALE DRAWING

EFFECTIVE 1-2-91 RAA

<b>B. BALDWIN</b>	
<b>5510-ASA, 5513-ASA LATCH</b>	
TEMPLATE NO. VARIATIONS	TEMPLATE NO.
	<b>F501</b>