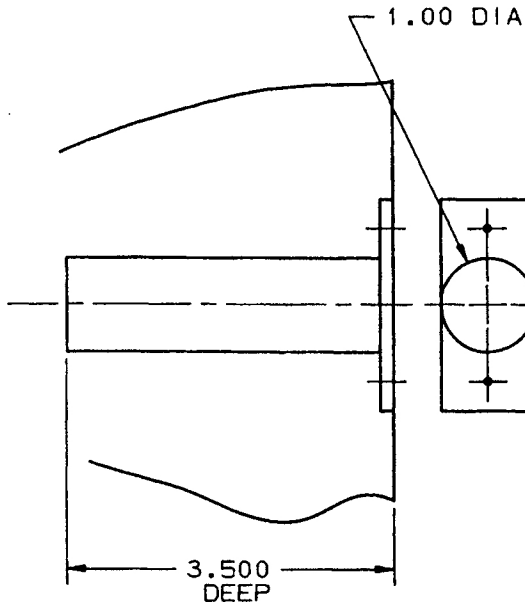
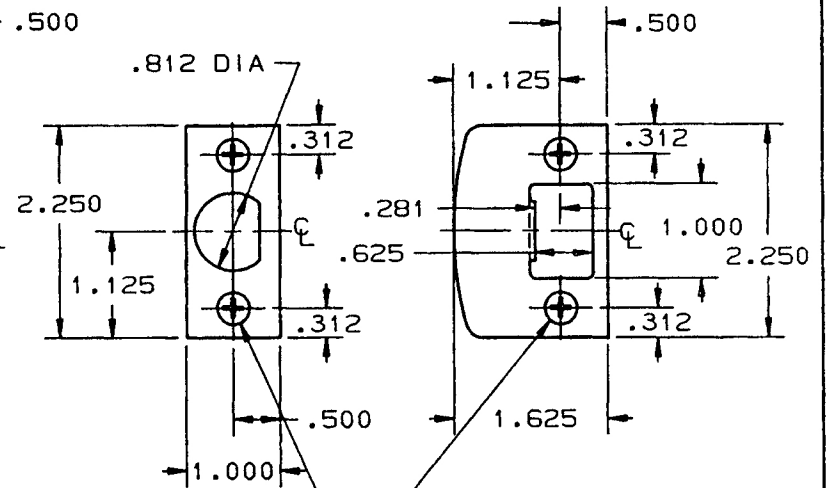
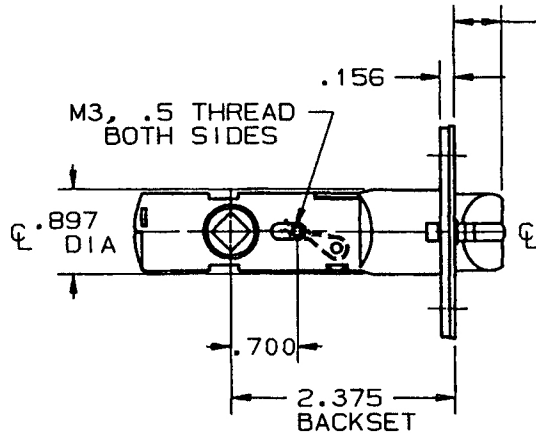
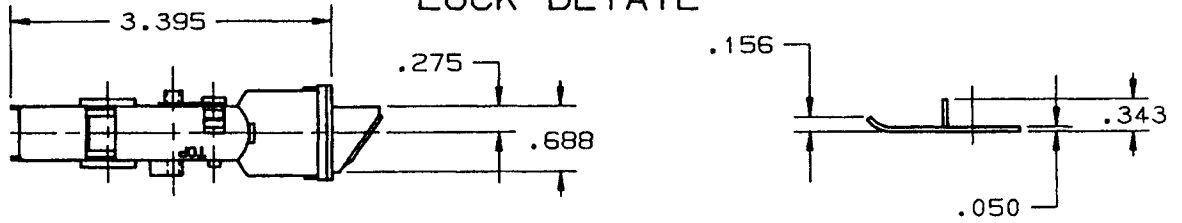


DOOR DETAIL



CL STRIKE, LATCH,
AND DOOR

LOCK DETAIL



NO 8 FL PH S/M/S
X .750 LONG (4-REQ'D)

NOTE:
1. SEE SPECIFIC TRIM TEMPLATE FOR
ADDITIONAL DOOR CUTOUT DETAILS.

DO NOT SCALE DRAWING

EFFECTIVE 1-2-91 P.M.J.

BALDWIN	
5510-PFLS, 5513-PFLS	
TEMPLATE NO. VARIATIONS	TEMPLATE NO.
	F602