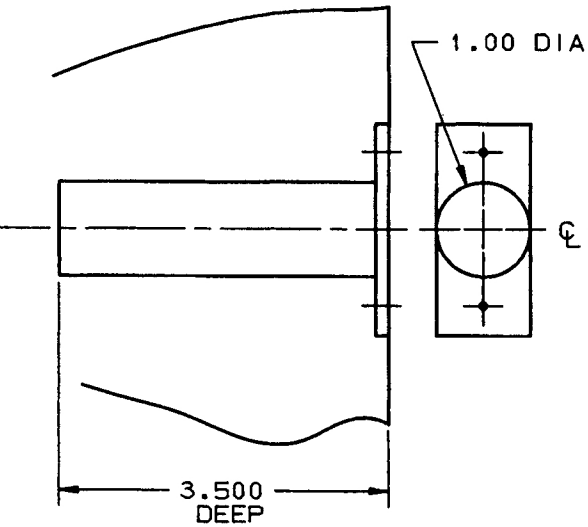
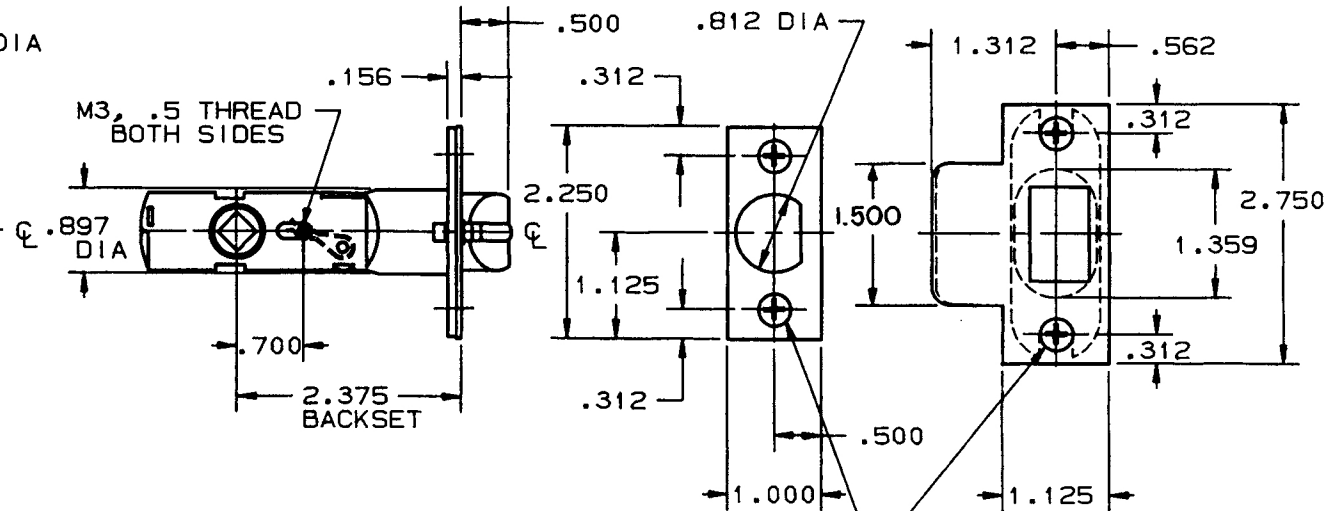
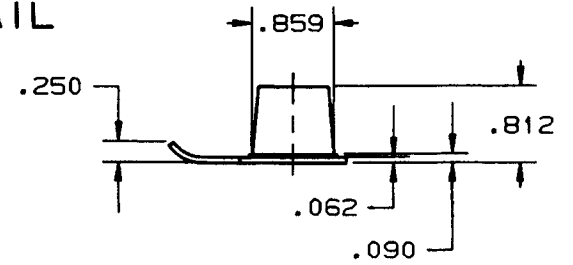
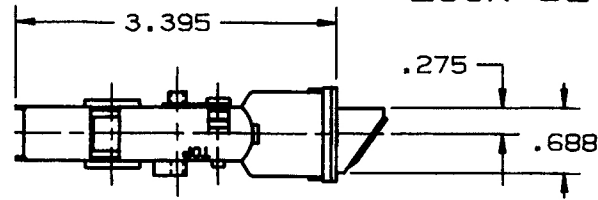


DOOR DETAIL



☉ STRIKE, LATCH,
AND DOOR

LOCK DETAIL



NO. 8 FL PH SMS
X .750 LONG (4-REQ'D)

NOTE:
1. SEE SPECIFIC TRIM TEMPLATE FOR
ADDITIONAL DOOR CUTOUT DETAILS.

DO NOT SCALE DRAWING

BALDWIN	
5510-P, 5513-P LATCH	
TEMPLATE NO. VARIATIONS	TEMPLATE NO.
	F600

©1991 by Baldwin Hardware Corporation

EFFECTIVE 1-2-91 RAL