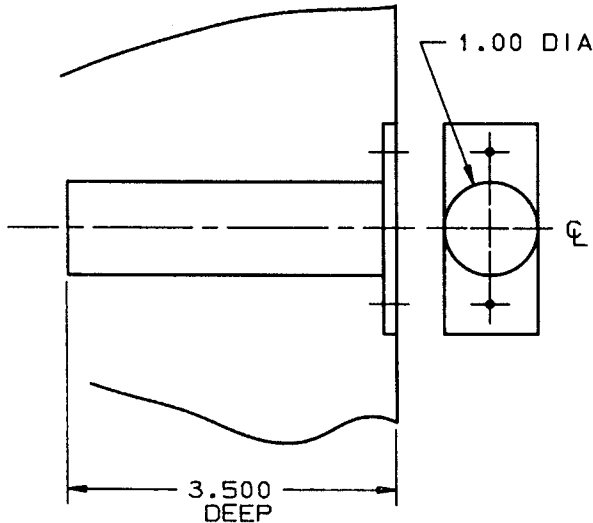
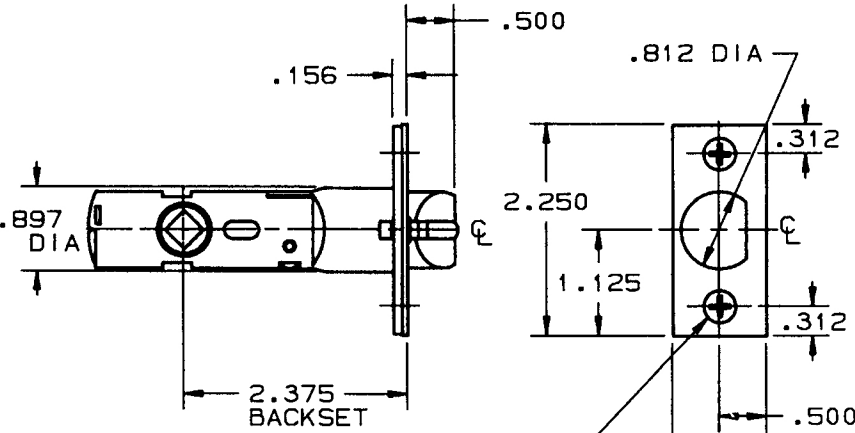
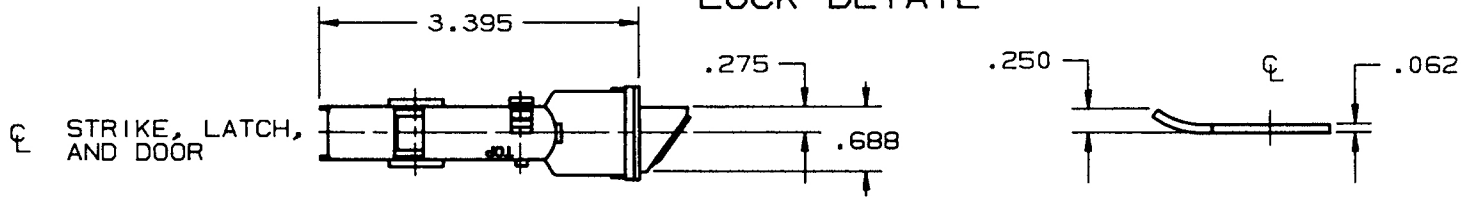


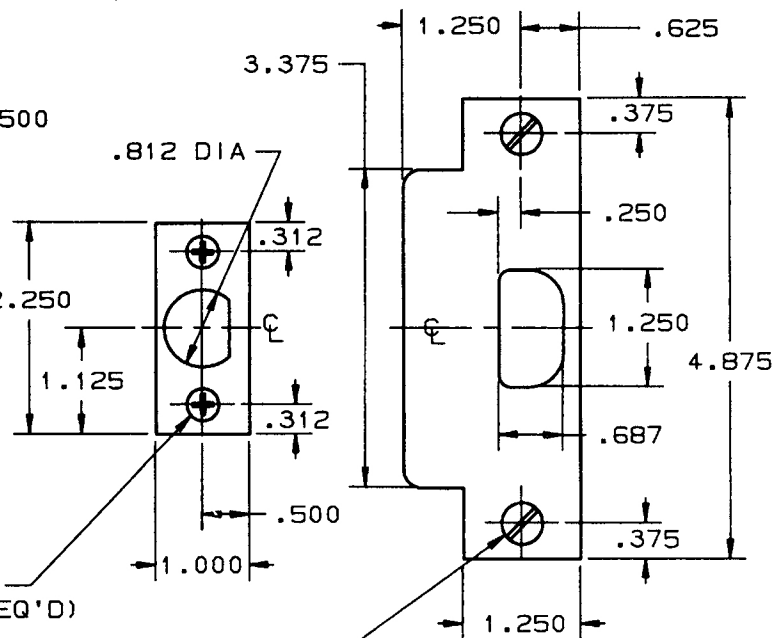
DOOR DETAIL



LOCK DETAIL



NO 8 FL PH S/M/S
X .750 LONG (2-REQ'D)



NO 12-24 FL SL UC M/S
X .500 LG (2-REQ'D)

NOTE:
1. SEE SPECIFIC TRIM TEMPLATE FOR
ADDITIONAL DOOR CUTOUT DETAILS.

EFFECTIVE 1-2-91 RAA

DO NOT SCALE DRAWING

B. BALDWIN	
5510-ASA, 5513-ASA LATCH	
TEMPLATE NO. VARIATIONS	TEMPLATE NO.
	F501

©1991 by Baldwin Hardware Corporation