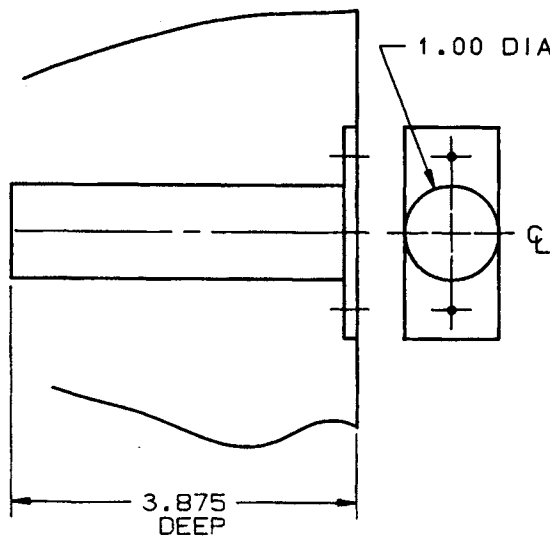
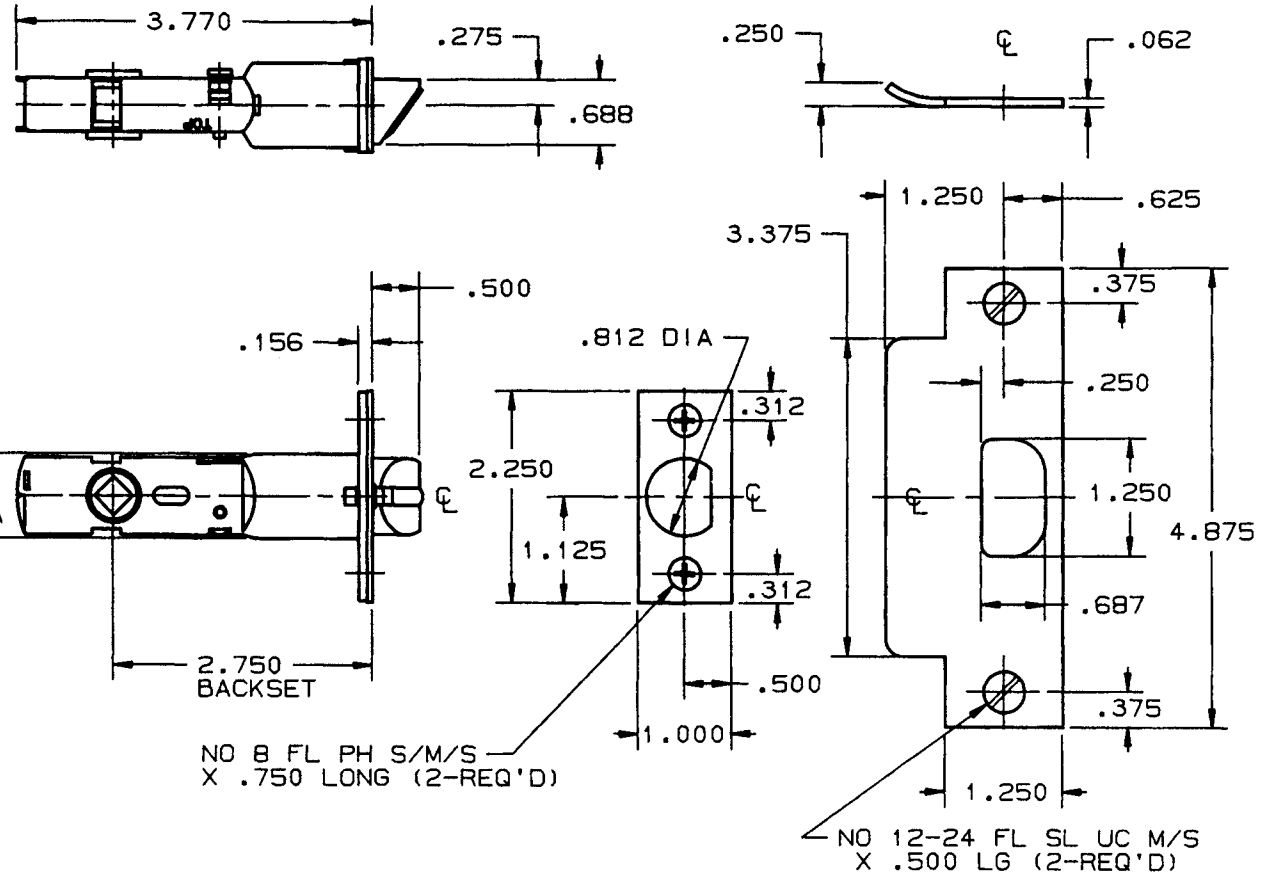


DOOR DETAIL



CL STRIKE, LATCH,
AND DOOR

LOCK DETAIL



NOTE:
1. SEE SPECIFIC TRIM TEMPLATE FOR
ADDITIONAL DOOR CUTOUT DETAILS.

DO NOT SCALE DRAWING

EFFECTIVE 1-2-91 2/LLS

| | |
|---------------------------------|--------------|
| BALDWIN | |
| 5520-ASA, 5523-ASA LATCH | |
| TEMPLATE NO. VARIATIONS | TEMPLATE NO. |
| | F511 |