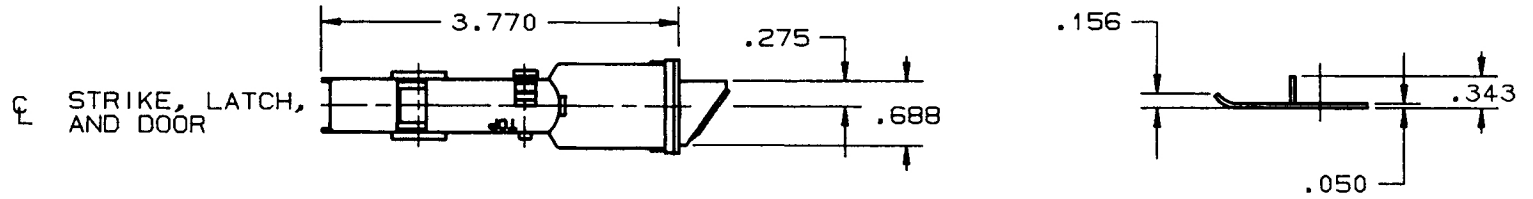
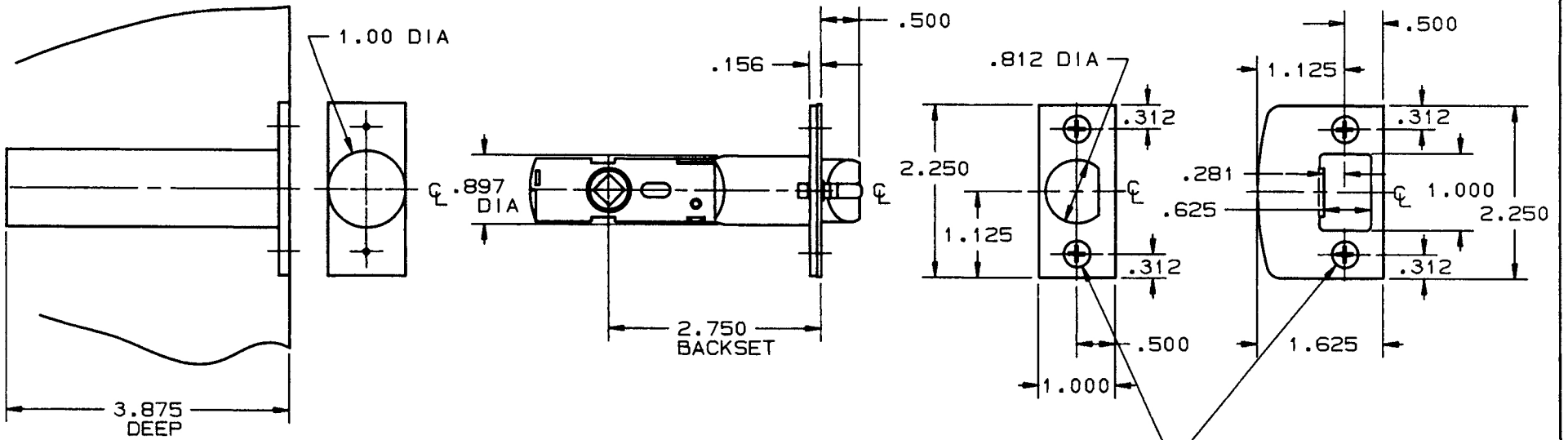


LOCK DETAIL



DOOR DETAIL



NO 8 FL PH S/M/S
X .750 LONG (4-REQ'D)

NOTE:
1. SEE SPECIFIC TRIM TEMPLATE FOR
ADDITIONAL DOOR CUTOUT DETAILS.

DO NOT SCALE DRAWING

BALDWIN	
5520-FLS, 5523-FLS LATCH	
TEMPLATE NO. VARIATIONS	TEMPLATE NO.
	F512