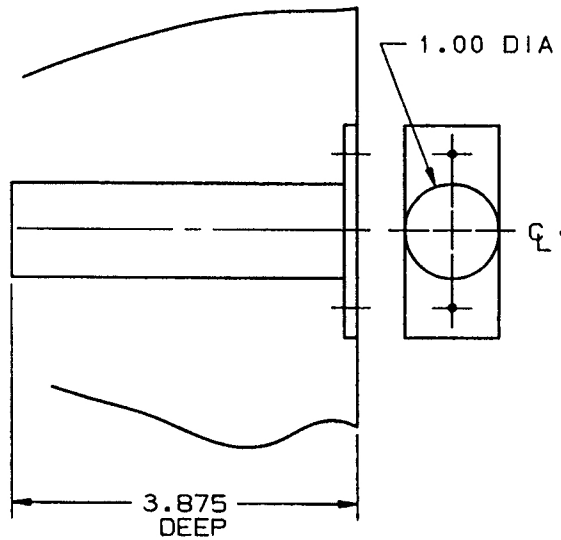
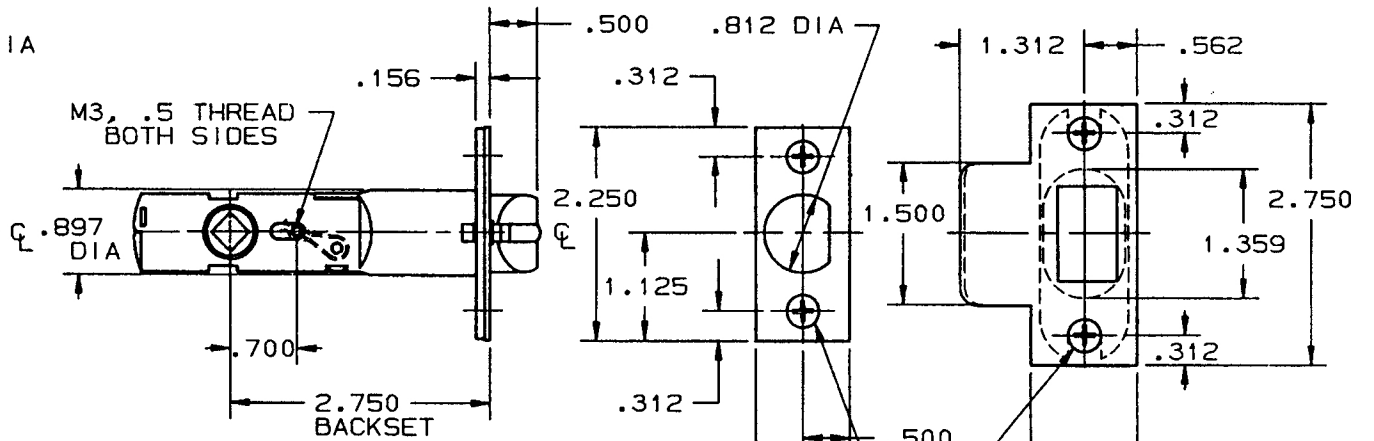
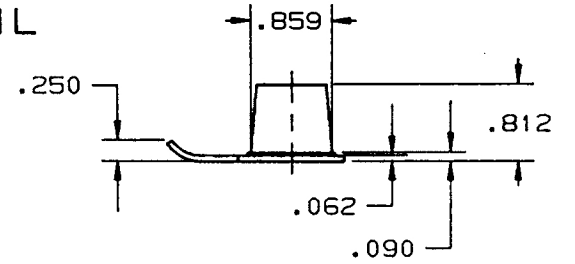
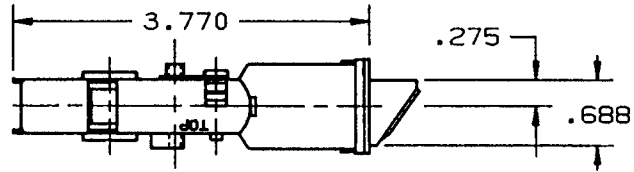


DOOR DETAIL



CL STRIKE, LATCH,
AND DOOR

LOCK DETAIL



M3, .5 THREAD
BOTH SIDES

NO. 8 FL PH SMS
X .750 LONG (4-REQ'D)

NOTE:
1. SEE SPECIFIC TRIM TEMPLATE FOR
ADDITIONAL DOOR CUTOUT DETAILS.

DO NOT SCALE DRAWING

EFFECTIVE: 1-2-91 CAL

BALDWIN	
5520-P, 5523-P LATCH	
TEMPLATE NO. VARIATIONS	TEMPLATE NO.
	F610

©1991 by Baldwin Hardware Corporation