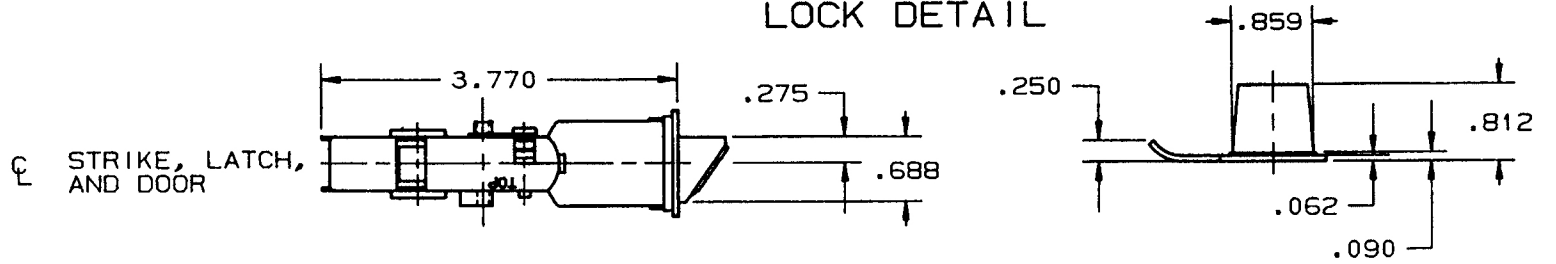
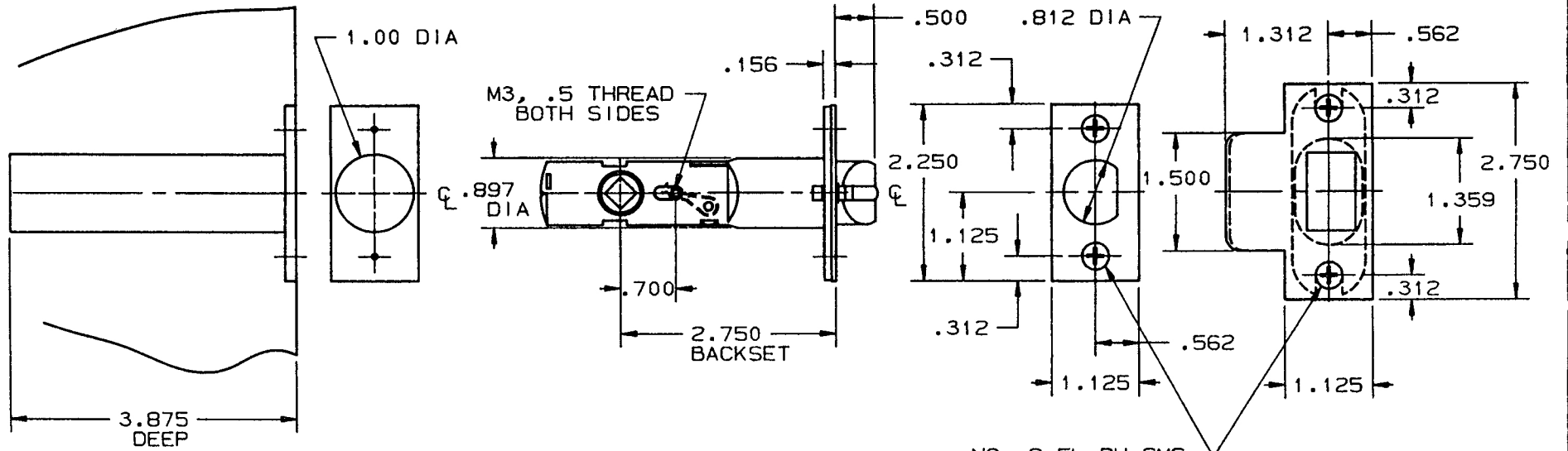


LOCK DETAIL



☒ STRIKE, LATCH,
AND DOOR

DOOR DETAIL



NO. 8 FL PH SMS
X .750 LONG (4-REQ'D)

NOTE:

1. SEE SPECIFIC TRIM TEMPLATE FOR ADDITIONAL DOOR CUTOUT DETAILS.

EFFECTIVE: 1-2-91 2A4

DO NOT SCALE DRAWING

BALDWIN	
5522-P, 5525-P LATCH	
TEMPLATE NO. VARIATIONS	TEMPLATE NO.
	F613