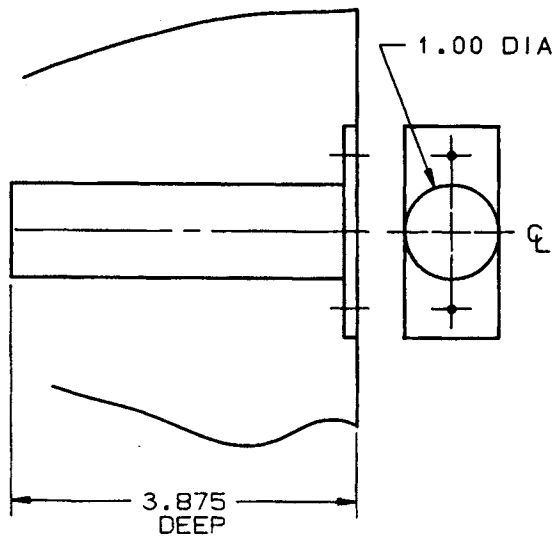
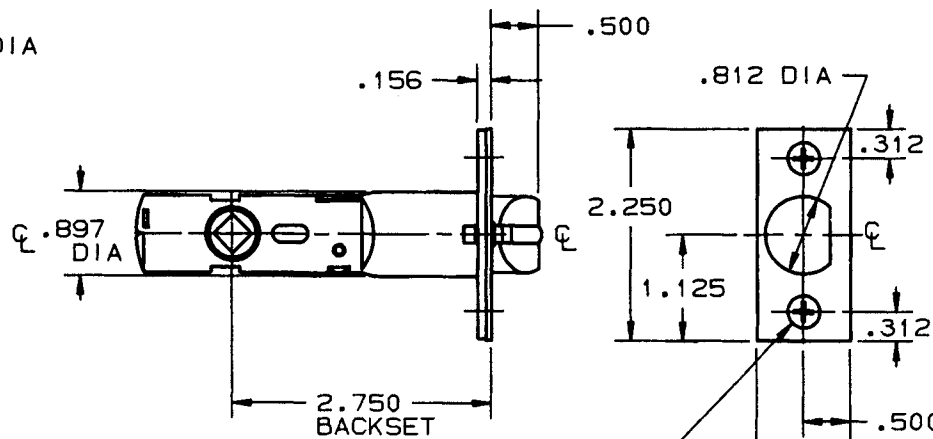
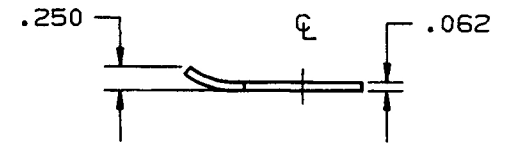
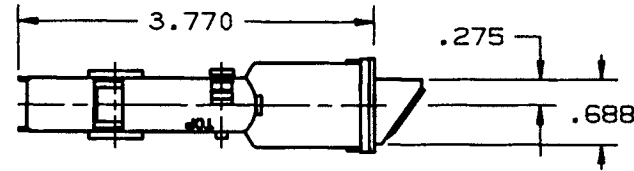


DOOR DETAIL

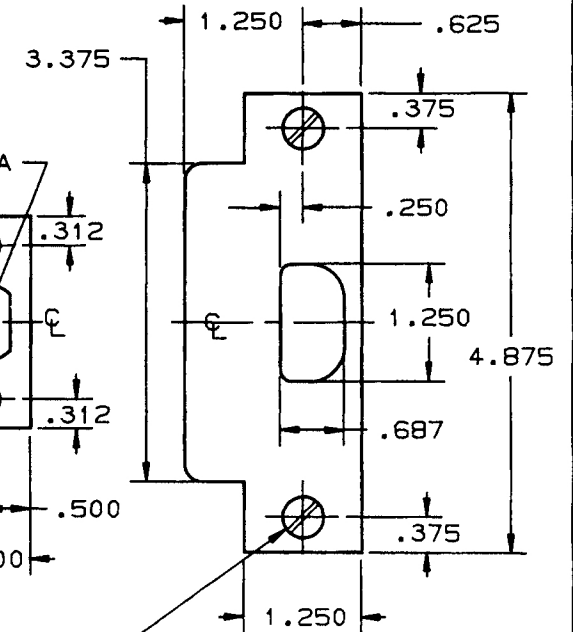


CL STRIKE, LATCH,
AND DOOR

LOCK DETAIL



NO 8 FL PH S/M/S
X .750 LONG (2-REQ'D)



NO 12-24 FL SL UC M/S
X .500 LG (2-REQ'D)

NOTE:
1. SEE SPECIFIC TRIM TEMPLATE FOR
ADDITIONAL DOOR CUTOUT DETAILS.

DO NOT SCALE DRAWING

EFFECTIVE 1-2-91 2/LLS

BALDWIN	
5520-ASA, 5523-ASA LATCH	
TEMPLATE NO. VARIATIONS	TEMPLATE NO.
	F511