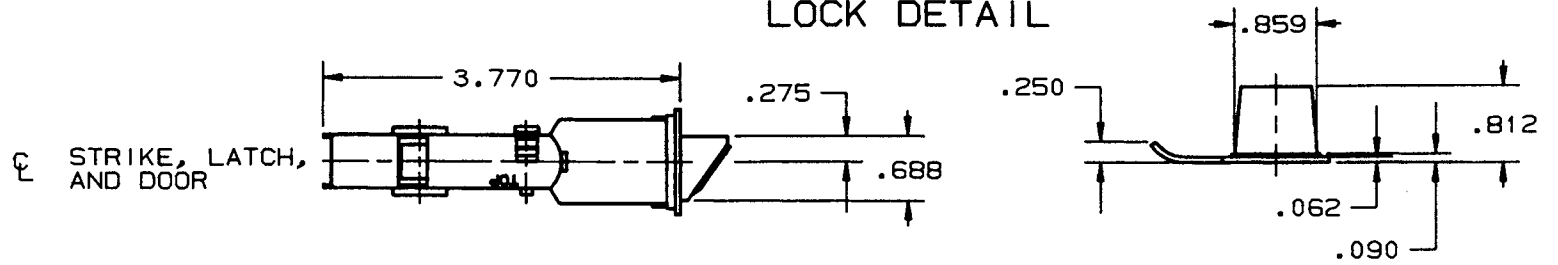
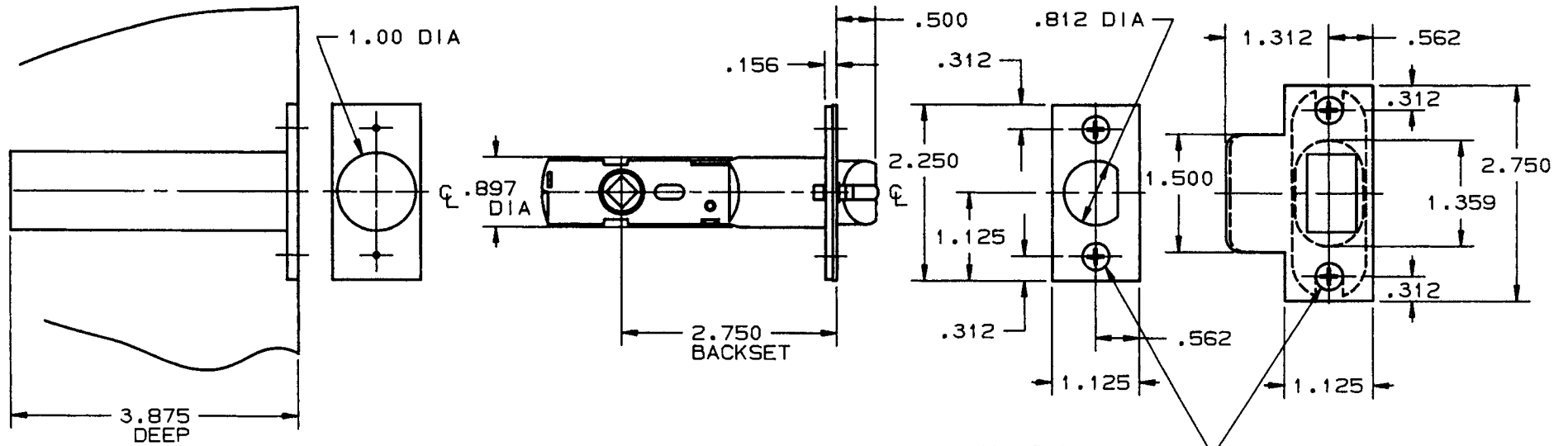


LOCK DETAIL



CL STRIKE, LATCH,
AND DOOR

DOOR DETAIL



NO. 8 FL PH SMS
X .750 LONG (4-REQ'D)

NOTE:
1. SEE SPECIFIC TRIM TEMPLATE FOR
ADDITIONAL DOOR CUTOUT DETAILS.

EFFECTIVE 11-2-91 & A/S

DO NOT SCALE DRAWING

B. BALDWIN	
5522, 5525 LATCH	
TEMPLATE NO. VARIATIONS	TEMPLATE NO.
	F513

©1991 by Baldwin Hardware Corporation