

# Bravura®

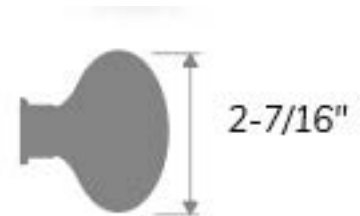
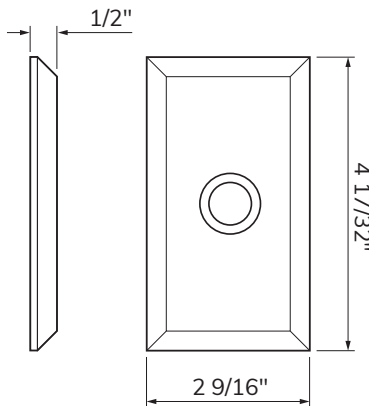
## Specifications:

<b>Door Prep</b>	Cross bore: 2-1/8" Edge bore: 1" Latch Face: 1" x 2-1/4"	<b>Latches</b>	2-3/8" Standard and 2-3/4" Optional Faceplate: 1" x 2-1/4" round corner Bolt: 1/2" Solid Brass throw Drive-in or UL Available
<b>Backset</b>	2-3/8" Standard and 2-3/4" Optional	<b>Strikes</b>	Supplied with full lip round corner (9103) and square corner strikes (9102)
<b>Door Thickness</b>	1-3/8" ~ 2", 2-1/4" & 2-1/2" Extension Kits Available		

## 905G-1 OXFORD

Shown in Satin Nickel  
with Rectangle Trim

### G-1 RECTANGLE



Function	Finish	Item No.
Passage	Oil Rubbed Bronze (US10B)	BV905108
	Satin Nickel (US15)	BV905107
	Black (US19)	BV905-105
	Polished Chrome (US26)	BV905-103
Privacy	Oil Rubbed Bronze (US10B)	BV905118
	Satin Nickel (US15)	BV905117
	Black (US19)	BV905-115
	Polished Chrome (US26)	BV905-113
Dummy	Oil Rubbed Bronze (US10B)	BV905128
	Satin Nickel (US15)	BV905127
	Black (US19)	BV905-125
	Polished Chrome (US26)	BV905-123