

Bravura®

Specifications:

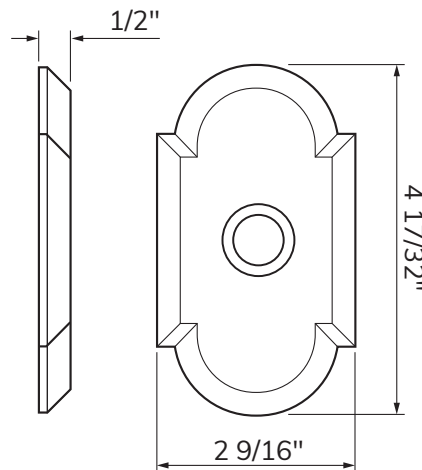
Door Prep	Cross bore: 2-1/8" Edge bore: 1" Latch Face: 1" x 2-1/4"	Latches	2-3/8" Standard and 2-3/4" Optional Faceplate: 1" x 2-1/4" round corner Bolt: 1/2" Solid Brass throw Drive-in or UL Available
Backset	2-3/8" Standard and 2-3/4" Optional	Strikes	Supplied with full lip round corner (9103) and square corner strikes (9102)
Door Thickness	1-3/8" ~ 2", 2-1/4" & 2-1/2" Extension Kits Available		

936-G-2 NASHVILLE

Shown in Satin Nickel
with Arched Trim



G-2 ARCHED



Function	Finish	Item No.
Passage	Oil Rubbed Bronze (US10B)	BV936-252
	Satin Nickel (US15)	BV936-251
	Black (US19)	BV936-255
	Polished Chrome (US26)	BV936-256
Privacy	Oil Rubbed Bronze (US10B)	BV936-262
	Satin Nickel (US15)	BV936-261
	Black (US19)	BV936-265
	Polished Chrome (US26)	BV936-266
Dummy	Oil Rubbed Bronze (US10B)	BV936-272
	Satin Nickel (US15)	BV936-271
	Black (US19)	BV936-275
	Polished Chrome (US26)	BV936-276