

Bravura®

Specifications:

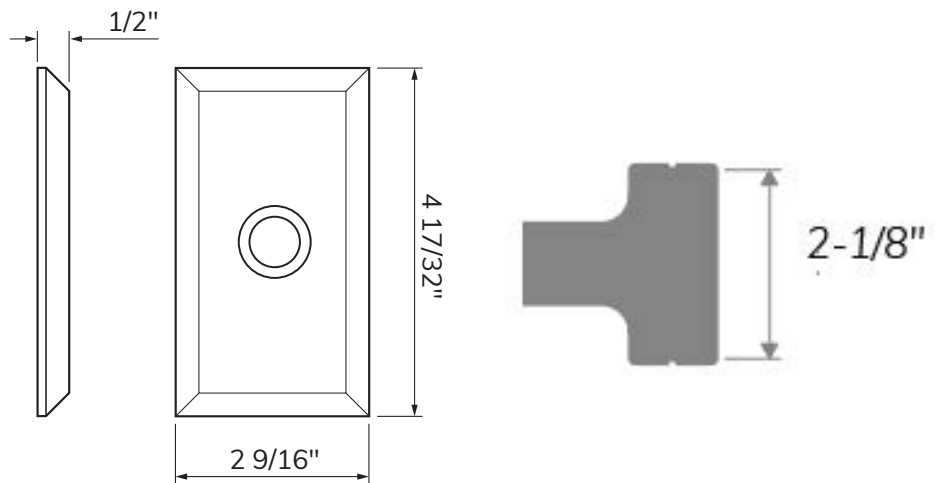
Door Prep	Cross bore: 2-1/8" Edge bore: 1" Latch Face: 1" x 2-1/4"	Latches	2-3/8" Standard and 2-3/4" Optional Faceplate: 1" x 2-1/4" round corner Bolt: 1/2" Solid Brass throw Drive-in or UL Available
Backset	2-3/8" Standard and 2-3/4" Optional	Strikes	Supplied with full lip round corner (9103) and square corner strikes (9102)
Door Thickness	1-3/8" ~ 2", 2-1/4" & 2-1/2" Extension Kits Available		

947-G-1 DALLAS

Shown in Satin Brass
with Rectangle Trim



G-1 RECTANGLE



Function	Finish	Item No.
Passage	Satin Brass (US4)	BV947-200
Privacy	Satin Brass (US4)	BV947-201
Dummy	Satin Brass (US4)	BV947-202