



READ THESE INSTRUCTIONS AND  
SAVE THEM FOR FUTURE USE



## Installation Guide

For Models:

BRC52AB5C  
BRC52BB5C  
BRC52WB5C  
BRC52WW5C

### Table of Contents:

Safety Tips. pg. 1  
Unpacking Your Fan. pg. 2  
Parts Inventory. pg. 2  
Installation Preparation. pg. 3  
Hanging Bracket Installation. pg. 3  
Preparation for Wiring. pg. 4  
Wiring. pg. 4  
Fan Assembly. pg. 5  
Motor Housing Assembly. pg. 5  
Blade Assembly. pg. 6  
Light Kit Assembly. pgs. 6 - 7  
Testing Your Fan. pg. 7  
Troubleshooting. pg. 8  
Parts Replacement. pg. 8  
Warranty. pg. 8



LISTED  
E124404

net fan weight: 16.53 lb. (7.5 kg)

PRINTED IN CHINA

## SAFETY TIPS.

**WARNING:** To reduce the risk of electrical shock, turn off the electricity to the fan at the main fuse box or circuit panel before you begin the fan installation or before servicing the fan or installing accessories.

1. **READ ALL INSTRUCTIONS AND SAFETY INFORMATION CAREFULLY BEFORE INSTALLING YOUR FAN AND SAVE THESE INSTRUCTIONS.**

**CAUTION:** To avoid personal injury, the use of gloves may be necessary while handling fan parts with sharp edges.

2. Make sure all electrical connections comply with Local Codes or Ordinances, the National Electrical Code, and ANSI/NFPA 70-1999. If you are unfamiliar with electrical wiring or if the house/building wires are different colors than those referred to in the instructions, please use a qualified electrician.
3. Make sure you have a location selected for your fan that allows clear space for the blades to rotate, and at least seven (7) feet (2.13 meters) of clearance between the floor and the fan blade tips. The fan should be mounted so that the tips of the blades are at least thirty (30) inches (76 centimeters) from walls or other upright structures.
4. The outlet box and ceiling support joist used must be securely mounted, and capable of supporting at least 35 pounds (16 kilograms). The box must be supported directly by the building structure. Use only UL listed outlet boxes marked "FOR FAN SUPPORT."

**WARNING:** To reduce the risk of fire, electrical shock, or personal injury, mount to the outlet box marked "Acceptable for Fan Support," and use the mounting screws provided with the outlet box. Most outlet boxes commonly used for the support of lighting fixtures are not acceptable for fan support and may need to be replaced. Consult a qualified electrician if in doubt.

**WARNING:** To reduce the risk of fire, electrical shock, or personal injury, wire connectors provided with this fan are designed to accept only one 12 gauge house wire and two lead wires from the fan. If your house wire is larger than 12 gauge or there is more than one house wire to connect to the two fan lead wires, consult an electrician for the proper size wire connectors to use.

5. Electrical diagrams are for reference only. Light kits that are not packed with the fan must be UL listed and marked suitable for use with the model fan you are installing. Switches must be UL general use switches. Refer to the instructions packaged with the light kits and switches for proper assembly.
6. After installation is complete, check that all connections are absolutely secure.
7. After making electrical connections, spliced conductors should be turned upward and pushed carefully up into the outlet box. The wires should be spread apart with the grounded conductor and the equipment-grounding conductor on opposite sides of the outlet box.

**WARNING:** To reduce the risk of fire or electrical shock, do not use this fan with any solid state speed control device or control fan speed with a full range dimmer switch. [Using a full range dimmer switch to control fan speed will cause a loud humming noise from fan.]

8. Do not operate the fan in reverse until fan has come to a complete stop.
9. Do not insert anything between the fan blades while they are rotating.

**WARNING:** To reduce the risk of personal injury, do not bend the blade arms during assembly or after installation. Do not insert objects into the path of the blades.

**WARNING:** To avoid personal injury or damage to the fan and other items, be cautious when working around or cleaning the fan.

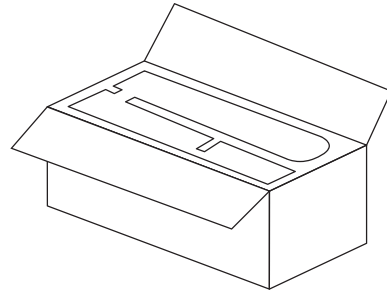
10. Do not use water or detergents when cleaning the fan or fan blades. A dry dust cloth or lightly dampened cloth will be suitable for most cleaning.

**WARNING:** To reduce the risk of personal injury, use **only** parts provided with this fan. **The use of parts OTHER than those provided with this fan will void the warranty.**

**NOTE:** The important safety precautions and instructions appearing in the manual are not meant to cover all possible conditions and situations that may occur. It must be understood that common sense and caution are necessary factors in the installation and operation of this fan.

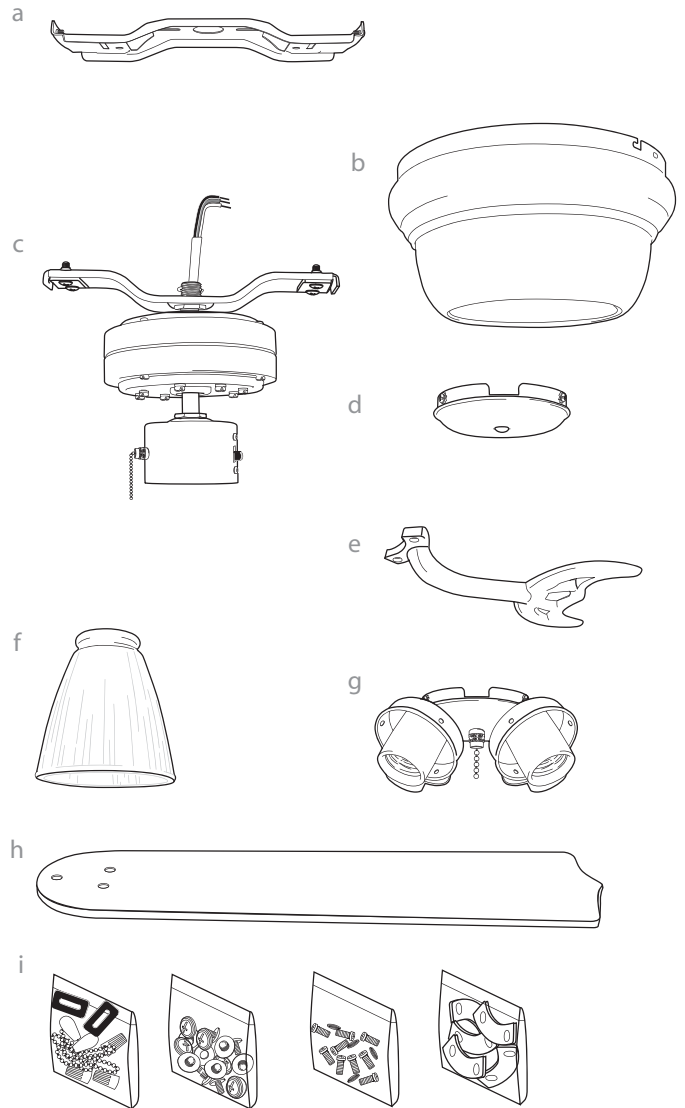
# 1. Unpacking Your Fan.

Carefully open the packaging. Remove items from Styrofoam inserts. Remove motor housing and place on carpet or Styrofoam to avoid damage to finish. Do not discard fan carton or Styrofoam inserts should this fan need to be returned for repairs. Check against parts inventory that all parts have been included.



# 2. Parts Inventory.

- a. hanging bracket. 1 piece
- b. motor housing. 1 piece
- c. motor assembly. 1 piece
- d. switch housing cap. 1 piece
- e. blade arm. 5 pieces
- f. glass shade. 4 pieces
- g. light kit fitter. 1 piece
- h. blade. 5 pieces
- i. hardware packs



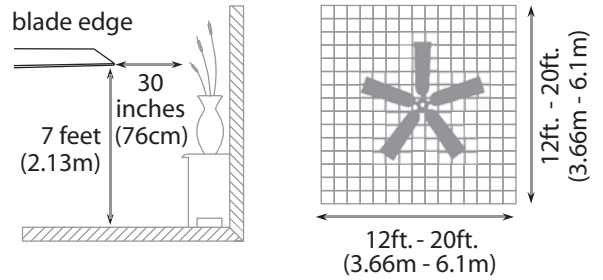
**⚠ IMPORTANT REMINDER:** You must use the parts provided with this fan for proper installation and safety. **⚠**

**required bulbs:**  
4 x 60 watt max. candelabra base bulbs  
(sold separately)



### 3. Installation Preparation.

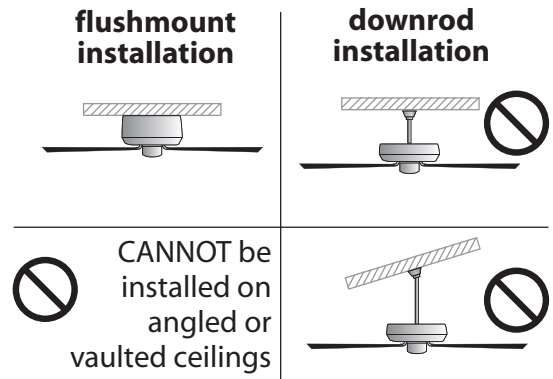
To prevent personal injury and damage, ensure that the hanging location allows the blades a clearance of 7ft. (2.13m) from the floor and 30in. (76cm) from any wall or obstruction. This fan is suitable for room sizes up to 400 square feet (37.2 square meters).



This fan can be mounted as a **flushmount** on a regular (no-slope) ceiling *only*. **Downrod** installations are **not** available for this fan.

**Installation requires these tools:**

Phillips screwdriver, flat-head screwdriver, adjustable pliers or wrench, stepladder, wire cutters, and rated electrical tape.



### 4. Hanging Bracket Installation.

Turn off circuit breakers to current fixture from breaker panel and be sure operating light switch is turned to the OFF position.

**WARNING:** Failure to disconnect power supply prior to installation may result in serious injury.

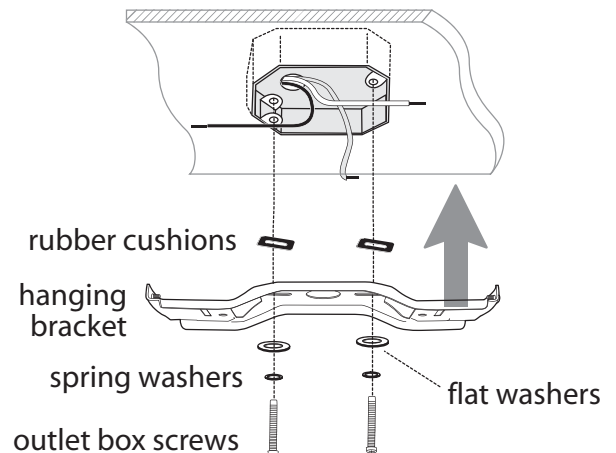
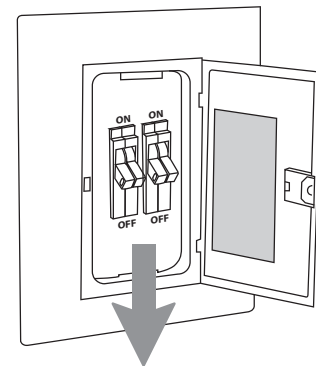
Remove existing fixture.

**WARNING:** When using an existing outlet box, be sure the outlet box is securely attached to the building structure and can support the full weight of the fan. Ensure outlet box is clearly marked "Suitable for Fan Support." If not, it must be replaced with an approved outlet box. Failure to do so can result in serious injury.

**CAUTION:** Be sure outlet box is grounded properly and that a ground wire (green or bare) is present.

Install hanging bracket to outlet box using original screws, spring washers and flat washers provided with new or original outlet box. \* Install rubber cushions between outlet box and hanging bracket to reduce vibration of metal to metal surfaces. Pull electrical wiring from outlet box through center hole in the hanging bracket.

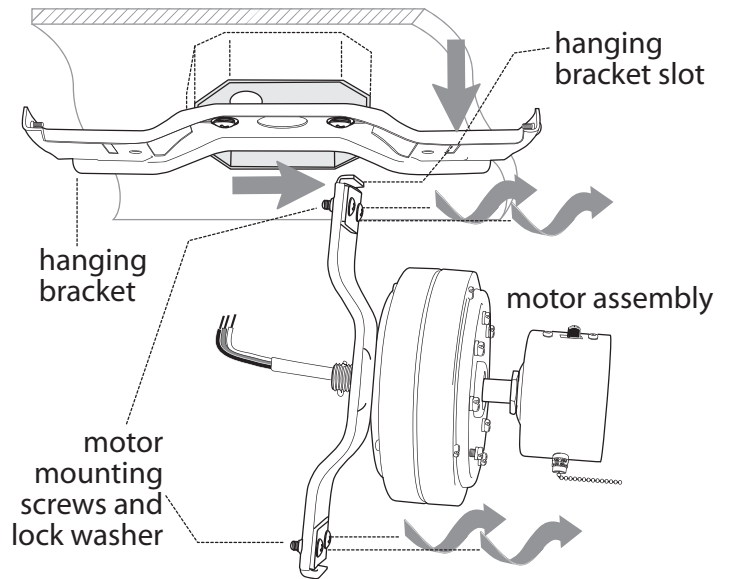
**\*Note:** It is very important that you use the proper hardware when installing the hanging bracket as this will support the fan.



## 5. Preparation for Wiring.

Remove 4 motor mounting screws and lock washers from the bar on the top of motor assembly; leave rubber cushions in place. Lift motor assembly to hanging bracket and place one end of motor assembly in hanging bracket slot. This will allow motor assembly to hang out of the way while wiring.

**Tip:** Seek the help of another person to hold the stepladder in place and to lift the fan up to you once you are set on the ladder.



## 6. Wiring.

**NOTE:** See instructions above (Section 5) in order to temporarily hang fan on hanging bracket during wiring.

**CAUTION:** Be sure outlet box is properly grounded and that a ground wire (**GREEN** or Bare) is present.

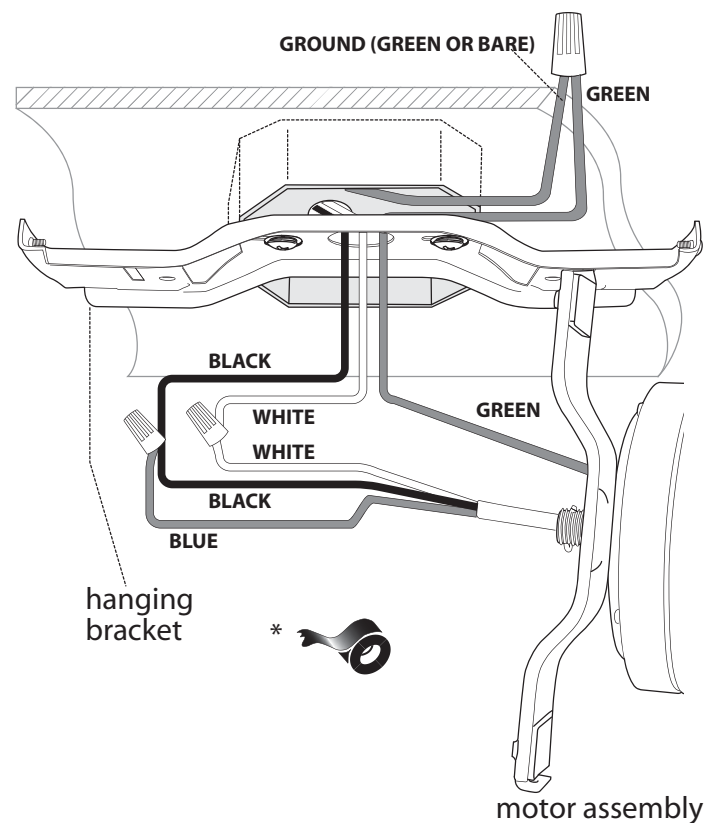
Make sure all electrical connections comply with Local Codes or Ordinances and the National Electrical Code. If you are unfamiliar with electrical wiring or if the house/building wires are different colors than those referred to in the instructions below, please use a qualified electrician.

When fan is secured in place on the hanging bracket, electrical wiring can be made as follows: Connect **BLACK** and **BLUE** wire from fan to **BLACK** wire from ceiling with wire connector provided.

Connect **WHITE** wire from fan to **WHITE** wire from ceiling with wire connector provided. Connect all **GROUND (GREEN)** wires from fan together to **BARE/GREEN** wire from ceiling with wire connector provided.

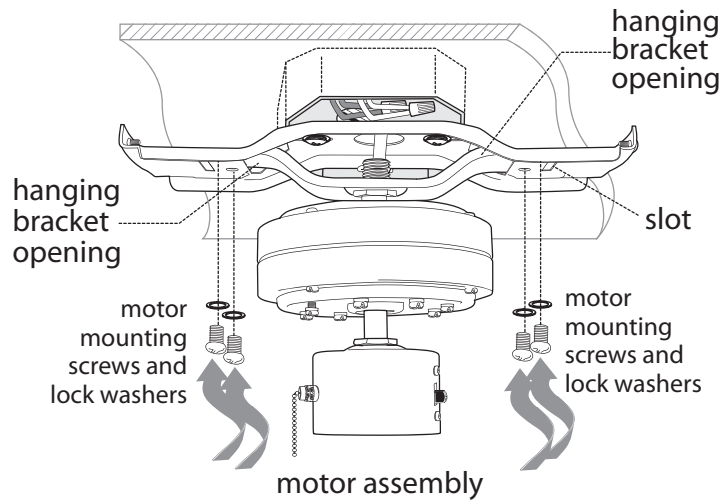
If you intend to control the fan light with a separate light switch, connect **BLUE** wire from fan to the **BLACK** supply from the independent switch.

\* Wrap each wire connector separately with electrical tape as an extra safety measure.



## 7. Fan Assembly.

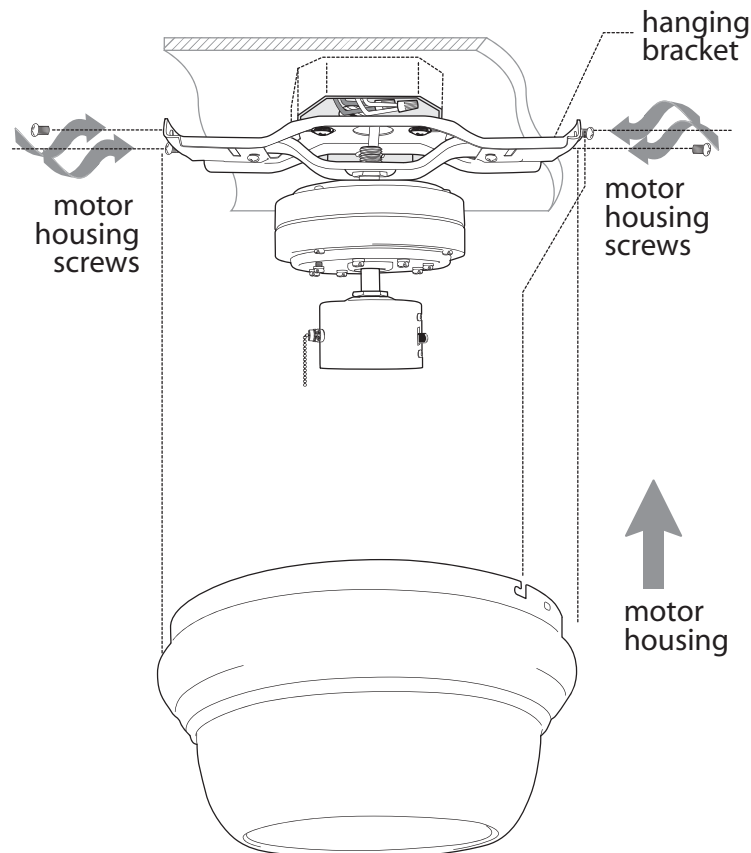
Remove motor assembly from temporary hanging slot in hanging bracket. Carefully push wiring and wire connectors into outlet box. Slide one end of bar on motor assembly through one of the openings in the hanging bracket. Lift the other end of the and slide it through opposite opening on hanging bracket. Align holes in top of motor assembly with holes in hanging bracket. Secure motor assembly to hanging bracket with lock washers and motor mounting screws that were previously removed (Section 5, page 4).



## 8. Motor Housing Assembly.

Temporarily hold motor housing up to hanging bracket to determine which 2 screws align with slotted holes on top rim of motor housing. Put motor housing down and *partially loosen* the 2 screws in the hanging bracket that correspond to slotted holes in motor housing. *Remove* the **other** 2 screws from the hanging bracket.

Raise motor housing to hanging bracket again, allowing slotted holes in motor housing to align with loosened screws in hanging bracket. Twist motor housing to lock. Re-install the 2 screws that were previously removed and then tighten all screws to secure motor housing.



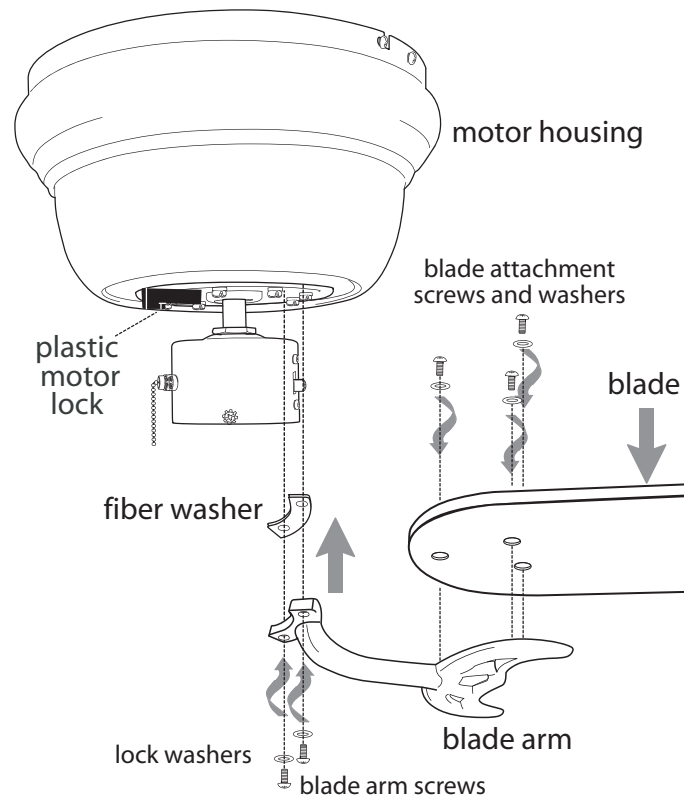
## 9. Blade Assembly.

**Time Saver:** Washers for blade screws can be set on each blade screw prior to installing blades.

Locate 15 blade attachment screws and washers in hardware pack. Hold blade arm up to blade and align holes. Insert 3 blade attachment screws (along with washers) with fingers first and then tighten screws securely with Phillips screwdriver. Repeat procedure for the remaining blades.

Remove blade arm screws and lock washers from underside of motor. If plastic motor locks are installed with blade arm screws, discard plastic motor locks (*save blade arm screws and lock washers to secure blade arms*). Align blade arm holes with motor screw holes and attach blade arm with lock washers and blade arm screws. [**Important:** When installing blade arm, place a long fiber washer (provided in a hardware pack) between motor and blade arm to reduce vibration of metal to metal surfaces.] Before securing screws permanently, repeat procedure with remaining blade arms. Securely tighten all screws.

**Note:** Tighten blade arm screws twice a year.

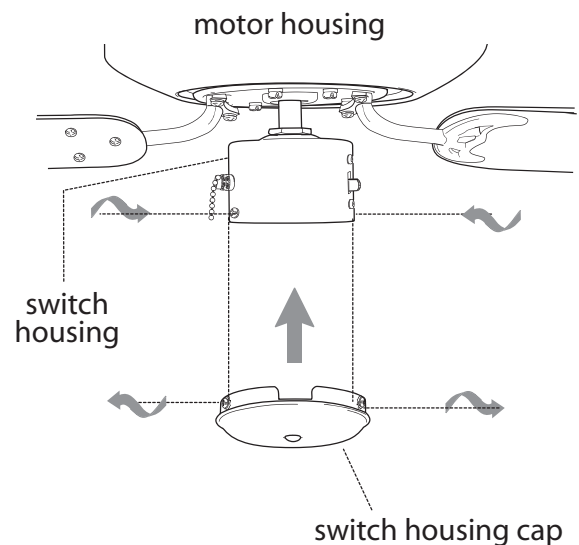


## 10. Light Kit Assembly (Optional).

**If you wish to use your fan WITH the light kit,** please follow instructions starting on the following page.

**If you wish to use your fan WITHOUT the light kit,** remove 3 screws from switch housing cap. Align holes in switch housing cap with holes in switch housing. Attach switch housing cap to switch housing with screws that were just removed. Securely tighten all screws. *Please proceed to Section 11 on the following page to complete installation WITHOUT the light kit.*

**["Light Kit Assembly" continued on next page.]**



## 10. Light Kit Assembly (Optional). (cont.)

Remove 3 screws from light kit fitter. Locate **BLUE** (or **BLACK**) and **WHITE** wires in the switch housing labeled FOR LIGHT KIT CONNECTION. Remove and discard plastic that holds these 2 wires together.

Connect **WHITE** wire from switch housing to **WHITE** wire from light kit fitter. Connect **BLUE** (or **BLACK**) wire from switch housing to **BLACK** wire from light kit fitter. Be sure that molex connections snap together securely.

Align holes in light kit fitter with holes in switch housing. Attach light kit fitter with 3 screws that were previously removed. Securely tighten all screws.

Attach glass shades to light kit fitter with thumbscrews provided in one of the hardware packs. *Do not overtighten thumbscrews as glass may crack or break.*

Install 4 candelabra base 60 watt max. bulbs (sold separately).

**Important:** When replacing bulbs, please allow bulb(s) and glass shade(s) to cool down before touching.

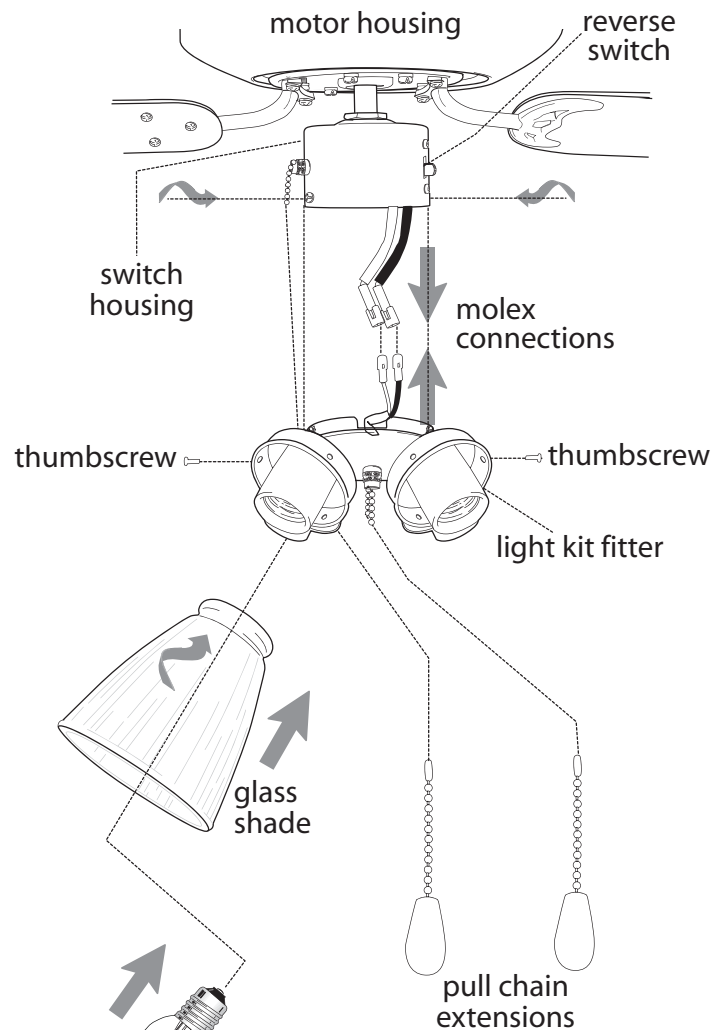


diagram 1

## 11. Testing Your Fan.

It is recommended that you test fan before finalizing installation. Restore power from circuit box and wall switch (if applicable). Test fan speeds with the pull chain directly opposite the reverse switch. Start at the OFF position (no blade movement). First pull will set the fan to HI. Second pull will set the fan to MEDIUM. Third pull will set the fan to LOW. Fourth pull will re-set the fan to OFF setting. Test light kit with the pull chain in the middle. (Refer to **diagram 1**.) If fan and/or light do (does) not function, please refer to "Troubleshooting" section to solve any issues before contacting Customer Service.

Turn fan completely off *before* moving the reverse switch. Set reverse switch to recirculate air depending on the season:

- DOWN position in summer (**diagram 2**)
- UP position in winter (**diagram 3**)

A ceiling fan will allow you to raise your thermostat setting in summer and lower your thermostat setting in winter without feeling a difference in your comfort.

**Important:** Reverse switch must be set either completely UP or completely DOWN for fan to function. If the reverse switch is set in the middle position (**diagram 4**), fan will not operate.

Attach pull chains extensions provided or custom pull chain extensions (sold separately) to ends of pull chains.

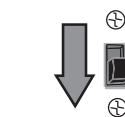


diagram 2



diagram 3



diagram 4



## Troubleshooting.

**WARNING:** Failure to disconnect power supply prior to troubleshooting any wiring issues may result in serious injury.

**Problem:** Fan fails to operate.

**Solutions:**

1. Check wall switch to fan.
2. Verify that reverse switch is set completely in either direction.
3. Check to be sure fan is wired properly.

**Problem:** Light kit (optional) not lighting.

**Solutions:**

1. Check wall switch to fan.
2. Check that bulbs are installed correctly.
3. Check to be sure wires in outlet box are wired properly.
4. Verify that molex connections in switch housing are connected properly.

**Problem:** Fan operates but lights fail (if applicable).

**Solutions:**

1. Check that bulbs are installed correctly.
2. Check to be sure wires in outlet box are wired properly.
3. Verify that molex connections in switch housing are connected properly.
4. Replace defective bulbs with same type of bulb.

**Problem:** Fan wobbles.

**Solutions:**

1. Carefully loosen motor housing and verify that mounting bracket is secure.
2. Check to be sure motor housing is turned completely and that motor housing screws are secure.

## Parts Replacement.

For parts and information, please refer to "Parts Inventory" on page 2.

Litex Customer Support:

**1-800-527-1292**

## Warranty.

LITEX 15-YEAR LIMITED WARRANTY:

LITEX INDUSTRIES, LTD. warrants this fan to the original household purchaser for indoor use under the following provisions:

1-YEAR WARRANTY: LITEX INDUSTRIES, LTD. will replace or repair any fan which has faulty performance due to a defect in material or workmanship. Contact Litex Customer Service at **1-800-527-1292** to arrange for return of fan. Return fan, shipping prepaid, to Litex Industries, Ltd. We will repair or ship you a replacement fan, and we will pay the return shipping cost.

5-YEAR WARRANTY: LITEX INDUSTRIES, LTD. will repair or replace, at no charge to the original purchaser, any fan motor that fails to operate satisfactorily when failure results from normal use.

RETURN FAN MOTOR ONLY, shipping prepaid, to Litex Industries. We will repair or ship purchaser a replacement motor and Litex will pay the return shipping cost.

6 to 15-YEAR LIMITED WARRANTY: LITEX INDUSTRIES, LTD. will repair the fan, at no charge to the original purchaser for labor only, if the fan motor fails to operate satisfactorily when failure results from normal use. Parts used in the repair will be billed to the purchaser at prevailing prices at time of repair.

The purchaser shall be responsible for all costs incurred in the removal, reinstallation and shipping of the product for repairs.

This warranty does not apply when damage from mechanical, physical, electrical or water abuse results in causing the malfunction. Deterioration of finishes or other parts due to time or exposure to salt air is specifically exempted under this warranty.

Neither Litex Industries nor the manufacturer will assume any liability resulting from improper installation or use of this product. In no case shall the company be liable for any consequential damages for breach of this, or any other warranty expressed or implied whatsoever. This limitation as to consequential damages shall not apply in states where prohibited.

