

NEED HELP?
Call or Email us first

Our service team is ready to answer your questions...
1-800-265-1833 (English) / 1-800-567-2513 (French)
IN CANADA - ressalescanada@canarm.ca - IN USA - ressalesusa@canarm.ca

Monday – Friday
8 AM - 5 PM EST.



INSTRUCTIONS PERTAINING TO RISK OF INJURY TO PERSONS
READ ALL INSTRUCTIONS

IMPORTANT SAFETY INSTRUCTIONS
SAVE THESE INSTRUCTIONS

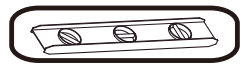
TOOLS AND MATERIALS REQUIRED:



Phillips
Screwdriver



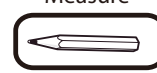
Tape
Measure



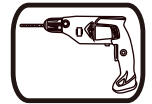
Spirit Level



Hammer



Pencil



Drill

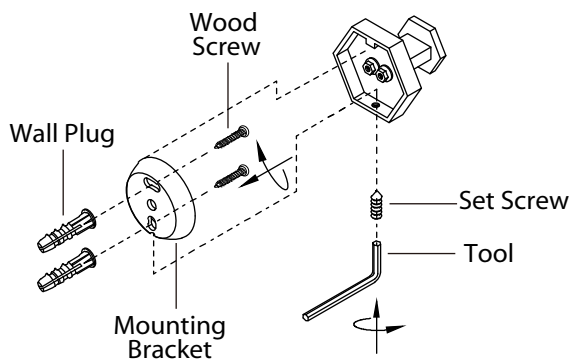
SAFETY PRECAUTIONS:

ENSURE THE SCREWS AND WALL PLUGS ARE SUITABLE FOR THE WALL INTENDED TO MOUNT THIS PRODUCT. CONSULT THE QUALIFIED PERSON FOR SAFETY INSTALLATION.

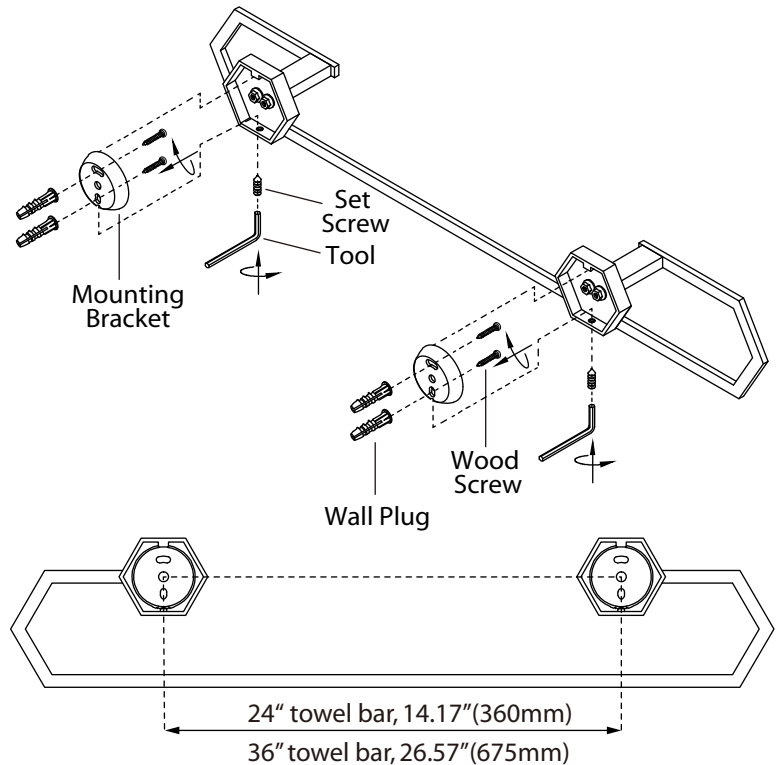
NOTE: Product may not look exactly as shown in figures.

INSTALLATION:

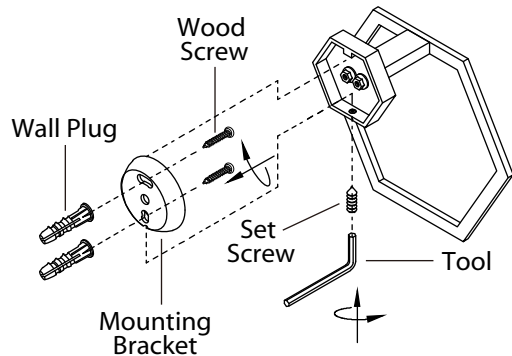
Robe Hook



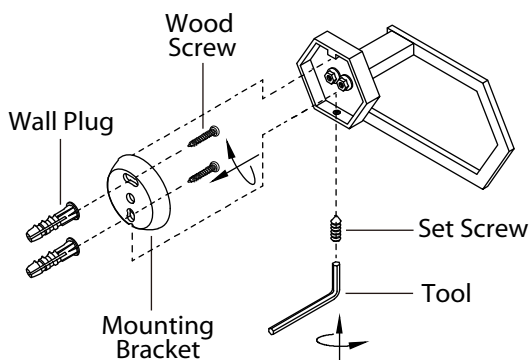
24" & 36" Towel bar



Paper Hook



Towel Ring



1. For the 24" towel bar, measure the distance (14.17" (360mm)) between the hole centers on the back of the towel bar.

For the 36" towel bar, measure the distance (26.57" (675mm)) between the hole centers on the back of the towel bar.

2. Loosen the set screw to remove the mounting bracket before installing.

3. Mark the wall for the pilot hole locations. Drill 7/32 inch pilot holes at location.

4. Install the mounting bracket to the wall with the wood screws and wall plugs.

5. Mount the bath accessory onto the screws fitted to the wall. Secure it by the set screw with the tool supplied.