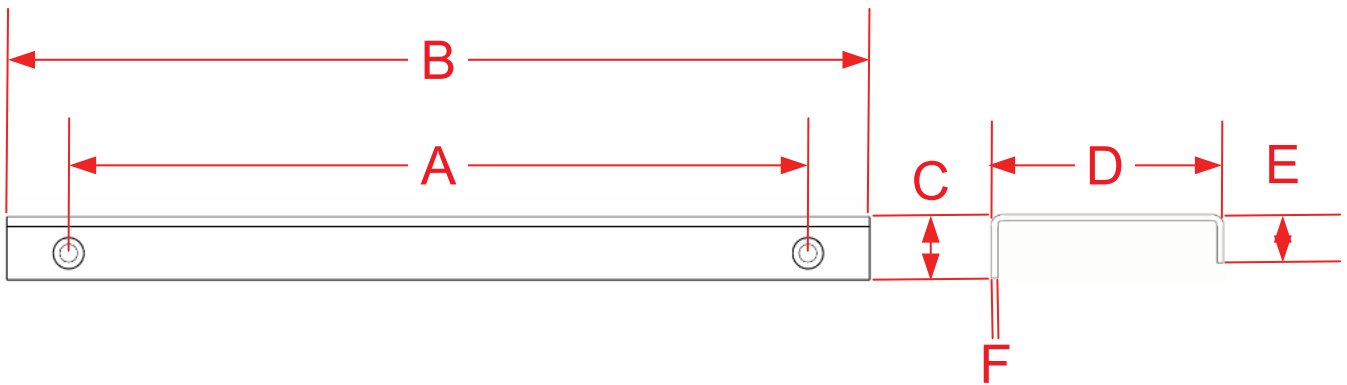


Series 710 Cabinet Edge Pull

Finishes for Life
TARNISH-FREE GUARANTEED



Part #	A Center to Center	B Overall	C Back Height	D Projection	E Front Height	F Brass Thickness
710-2	2.0000"	2.5000"	0.5000"	1.5000"	0.3750"	0.0468"
710-5	5.0000"	6.0000"	0.5000"	1.5000"	0.3750"	0.0468"
710-8	8.0000"	9.0000"	0.5000"	1.5000"	0.3750"	0.0468"
710-10	10.0000"	11.0000"	0.5000"	1.5000"	0.3750"	0.0468"
Custom Sizing Available						



Manufacturing Fine Architectural Hardware
in the USA Since 1927



Copyright 2015
Colonial Bronze Company
All rights reserved