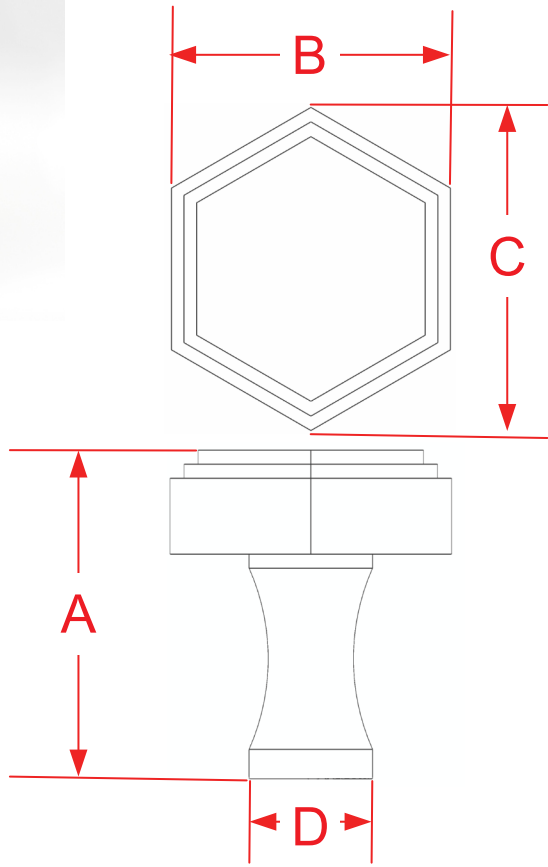
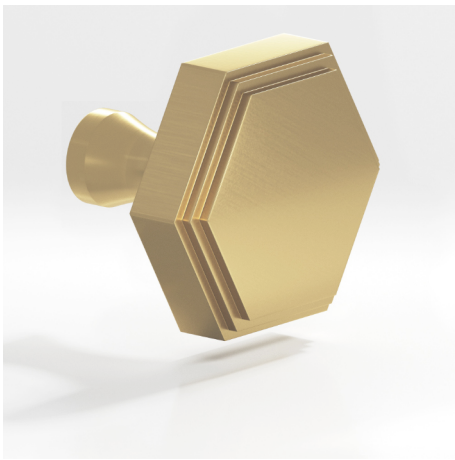


626, 627 & 628 Cabinet Knobs Series

Finishes for Life
TARNISH-FREE GUARANTEE



Part #	A Projection	B Short Diameter	C Long Diameter	D Base
626	1.1875"	1.0000"	1.1250"	0.4375"
627	1.1875"	1.2500"	1.5000"	0.4375"
628	1.1875"	1.5000"	1.7187"	0.4375"
Custom Sizing Available				



Manufacturing Fine Architectural Hardware
in the USA Since 1927

