



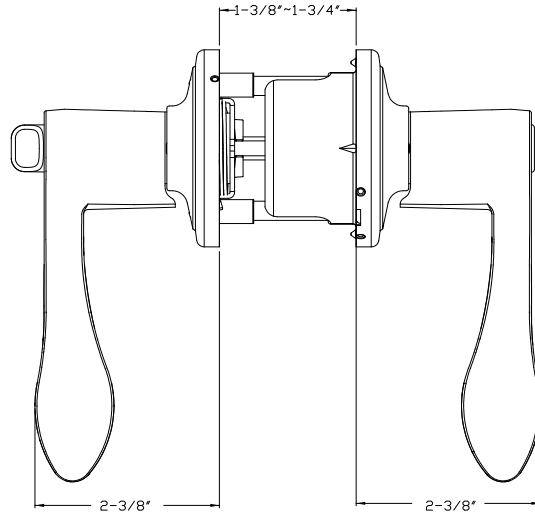
# LASHBROOK **\*NEW\***

## GRADE 2

### Specifications

<b>Door Prep</b>	Cross bore: 2-1/8" Edge bore: 1" Latch face: 1" x 2-1/4"	<b>Latches</b>	Entrance: 2-3/8" & 2-3/4" 6-way adjustable Passage/Privacy: 2-3/8" & 2-3/4" 6-way adjustable Faceplate: 1" x 2-1/4" round corner Bolt: 1/2" throw
<b>Backset</b>	Fits 2-3/8" and 2-3/4"	<b>Strikes</b>	1-3/4" x 2-1/4" full lip round corner (9103)
<b>Door Thickness</b>	1-3/8" ~ 1-3/4" door standard	<b>Wood Screws</b>	Combination screws that suit both wood or metal door mounting
<b>Cylinder</b>	SC1 5-pin <b>standard</b> . Entries packed KA5 KW1 5-pin optional	<b>Grade 2 Features</b>	• Concealed screws • Panic Proof • UL Rated • Full Protection Collar

Door Hanging:  
Reversible Lever  
Handing required for Dummy function & Handleset interior



### VISUAL BOX PACKAGING

Model	Function	WT/CTN	CTN QTY		US15 Satin Nickel	US3 Polished Brass	US19 Black	US12P Tuscany Bronze
500TT-LB-G2	Entrance	24 Lbs	12 Pcs	Item No.	320820	320823	320829	320827
501TT-LB-G2	Passage	22 Lbs	12 Pcs	Item No.	324820	324823	324829	324827
502TT-LB-G2	Privacy	22 Lbs	12 Pcs	Item No.	322820	322823	322829	322827
515TT-LB-G2	Dummy (Pair)	21 Lbs	12 Pair	Item No.	325820	325823	325829	325827