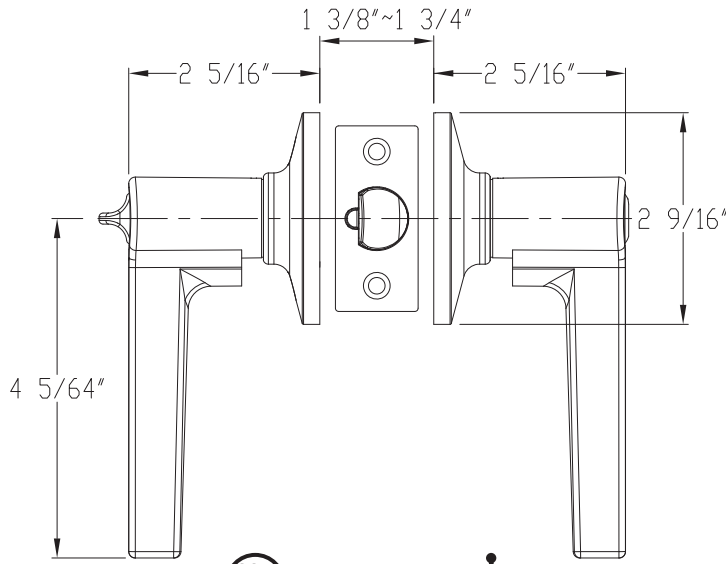


# TULINA™ GRADE 3



## DIMENSIONS



LISTED  
Available

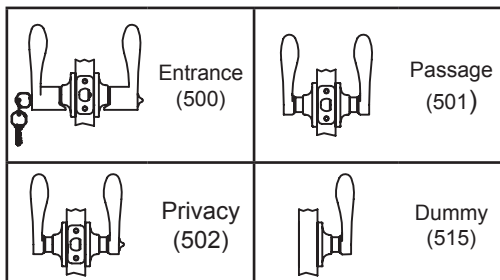


## STANDARD SPECIFICATIONS

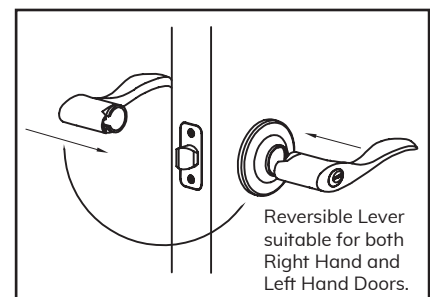
<b>Door Prep</b>	Cross bore: 2-1/8" Edge bore: 1" Latch face: 1" x 2-1/4"
<b>Backset</b>	Fits 2-3/8" and 2-3/4", UL Available
<b>Door Thickness</b>	1-3/8" ~ 1-3/4" door standard
<b>Cylinder</b>	KW1 5-pin standard (Solid Brass) SC1 5-Pin optional. Entries packed KA5
<b>Latches</b> (6-way Available)	Entrance: 2-3/8" x 2-3/4" adjustable (9045R) Passage/Privacy: 2-3/8" & 2-3/4" adj. (9074) Faceplate: 1" x 2-1/4" round corner Bolt: 1/2" throw
<b>Strikes</b>	1-3/4" x 2-1/4" full lip round corner (9103)
<b>Wood Screws</b>	Combination screws that suit both wood or metal door mounting
<b>Door Handing</b>	Non Handed

Model	Function	WT/ CTN	CTN QTY		US15 Satin Nickel	US19 Black	US26 Polished Chrome	US12P Tuscany Bronze
500T - TA	Entrance	26 Lbs	20 Pcs	Item No.	D20220	D20229	D20226	D20227
500T - TA	Push Button Entrance (Panic Proof)	26 Lbs	20 Pcs	Item No.	D20220P	-	D20226P	D20227P
501T - TA	Passage	23 Lbs	20 Pcs	Item No.	D24220	D24229	D24226	D24227
502T - TA	Privacy	24 Lbs	20 Pcs	Item No.	D22220	D22229	D22226	D22227
502T - TA	Push Button Privacy (Panic Proof)	24 Lbs	20 Pcs	Item No.	D22220P	-	D22226P	D22227P
515 - TA	Dummy	15 Lbs	20 Pcs	Item No.	D25220	D25229	D25226	D25227

## FUNCTIONS



## HANDING GUIDE



DELANEY