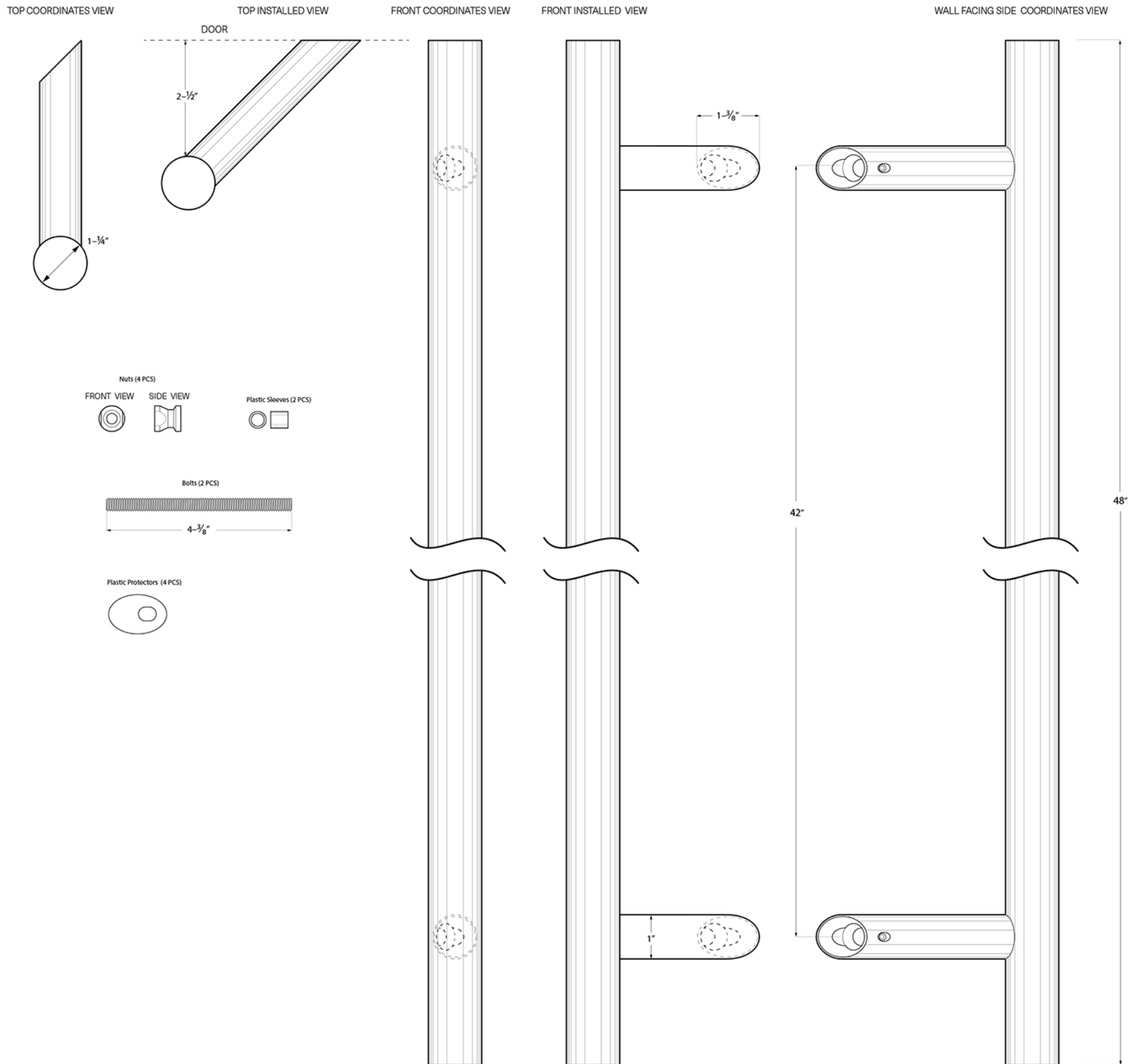


# SSPORBB48

ROUND OFFSET PULLS / 48" / BACK-TO-BACK / STAINLESS STEEL

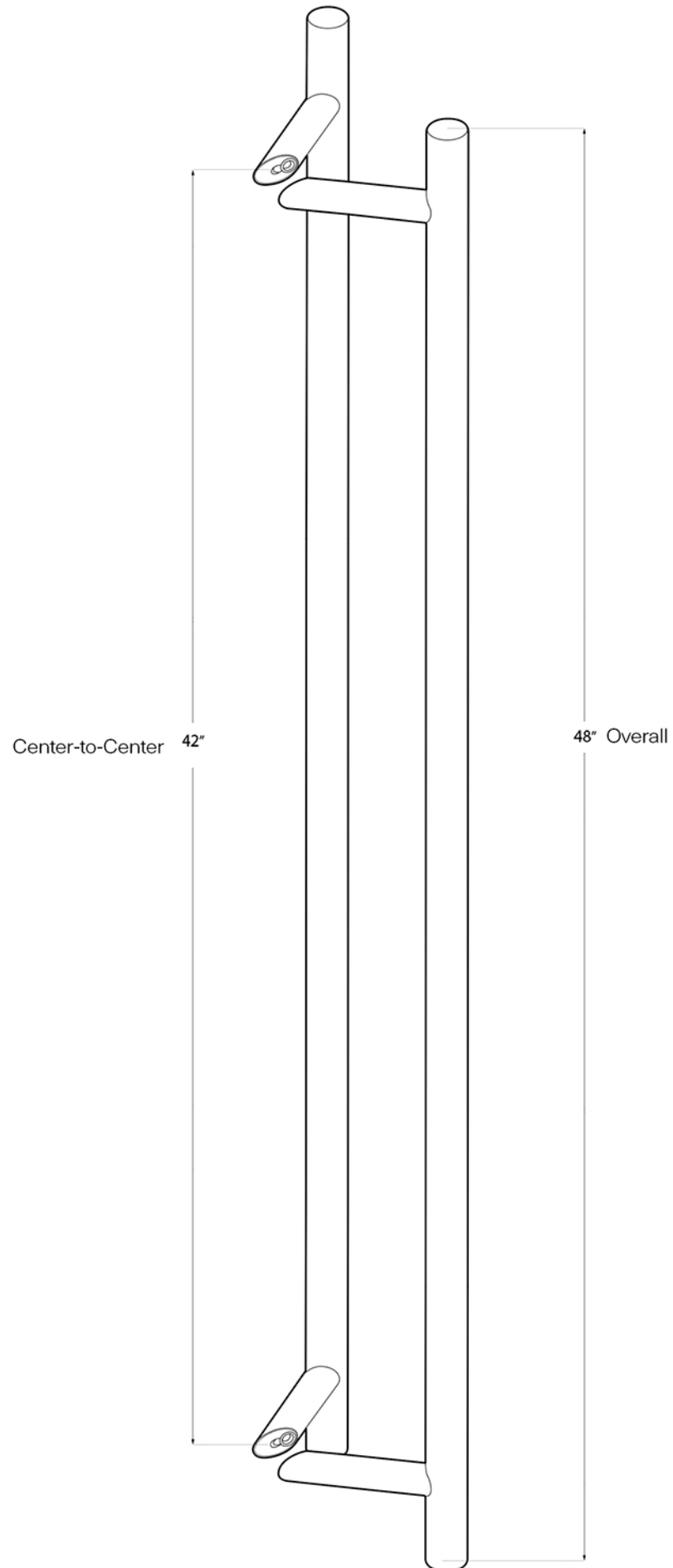


**DRAWING NOT TO SCALE**

NOTE: Deltana reserves the right to constantly improve its products and is not responsible for differences between the product in-hand and the specifications contained in this drawing. We do not recommend to pre-drill holes or pre-cut woods or metals based on the drawing information if the veracity of the specifications has not been proven by the live product.

# SSPORBB48

ROUND OFFSET PULLS / 48" / BACK-TO-BACK / STAINLESS STEEL



**DRAWING NOT TO SCALE**

NOTE: Deltana reserves the right to constantly improve its products and is not responsible for differences between the product in-hand and the specifications contained in this drawing. We do not recommend to pre-drill holes or pre-cut woods or metals based on the drawing information if the veracity of the specifications has not been proven by the live product.