

**Additional Dimensions: (Part # 4815)**

- Exterior Projection is 2 3/4"
- Interior Projection Depends on Handle Style
- Overall Grip thickness: 1"
- Clearance between door & grip is 2 1/4"
- Plates thickness: 1/2"

*Same Dimensions for  
Double Cylinder & Dummy Function*

## Brass Tubular Entryset Monolithic & Full Length, Single Cylinder

Transitional Heritage (4717), Davos (4818), Lausanne (4819), Apollo (4815), Orion (4816), Zeus (4814)

- Standard Door Thickness: 1<sup>3</sup>/<sub>4</sub>" - 2<sup>1</sup>/<sub>8</sub>"
- Standard Components:
  - 1<sup>1</sup>/<sub>2</sub>" Rosette Screws
  - Single Cylinder Tailpiece
  - Outside Entry Spindle
  - Inside Passage Half Spindle
  - 2<sup>1</sup>/<sub>4</sub>" Deadbolt Mounting Screws
  - Full-Lip Strike Plate
  - Deadbolt Strike Plate

- **Extended** Door Thickness: 2<sup>1</sup>/<sub>4</sub>" - 2<sup>1</sup>/<sub>2</sub>"
- Extended Components:
  - 2" Rosette Screws
  - Long Single Cylinder Tailpiece
  - Long Outside Entry Spindle
  - Long Inside Passage Half Spindle
  - 3" Deadbolt Mounting Screws
  - Spindle Extensions
  - Extended Full-Lip Strike Plate
  - Deadbolt Strike Plate

- **Extended** Door Thickness: 2<sup>1</sup>/<sub>2</sub>" - 3"
- Extended Components:
  - 2<sup>1</sup>/<sub>2</sub>" Rosette Screws
  - Extra Long Single Cylinder Tailpiece
  - Long Outside Entry Spindle
  - Extra Long Inside Passage Half Spindle
  - 3" Deadbolt Mounting Screws
  - Spindle Extensions
  - Extended Full-Lip Strike Plate
  - Deadbolt Strike Plate

## Brass Tubular Entryset Monolithic & Full Length, Double Cylinder

Transitional Heritage (4727), Davos (4828), Lausanne (4829), Apollo (4825), Orion (4826), Zeus (4824)

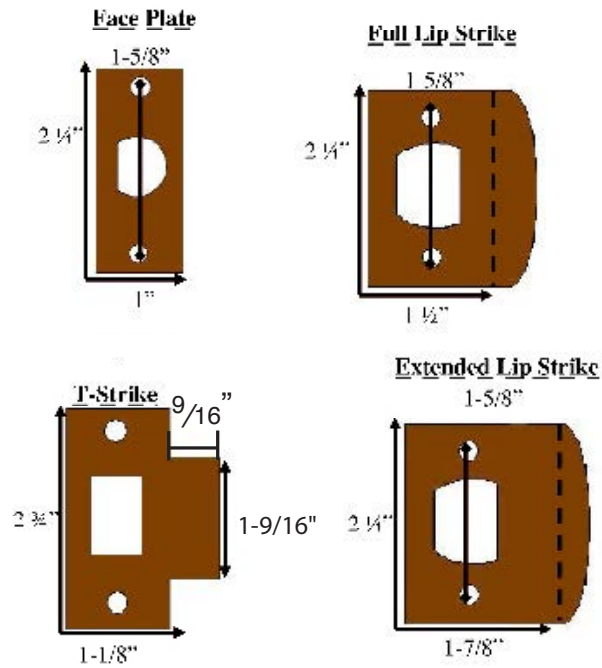
- Standard Door Thickness: 1<sup>3</sup>/<sub>4</sub>" - 2"
- Standard Components:
  - 1<sup>1</sup>/<sub>2</sub>" Rosette Screws
  - Double Cylinder Tailpiece
  - Outside Entry Spindle
  - Inside Passage Half Spindle
  - 2<sup>1</sup>/<sub>4</sub>" Deadbolt Mounting Screws
  - Full-Lip Strike Plate
  - Deadbolt Strike Plate

- **Extended** Door Thickness: 2" - 2<sup>5</sup>/<sub>8</sub>"
- Extended Components:
  - 2" Rosette Screws
  - Long Double Cylinder Tailpiece
  - Long Outside Entry Spindle
  - Long Inside Passage Half Spindle
  - 3" Deadbolt Mounting Screws
  - Spindle Extensions
  - Extended Full-Lip Strike Plate
  - Deadbolt Strike Plate

- **Extended** Door Thickness: 2<sup>5</sup>/<sub>8</sub>" - 2<sup>7</sup>/<sub>8</sub>"
- Extended Components:
  - 2<sup>1</sup>/<sub>2</sub>" Rosette Screws
  - Long Double Cylinder Tailpiece
  - Long Outside Entry Spindle
  - Extra Long Inside Passage Half Spindle
  - 3<sup>1</sup>/<sub>2</sub>" Deadbolt Mounting Screws
  - Spindle Extensions
  - Extended Full-Lip Strike Plate
  - Deadbolt Strike Plate

\* Part # DB4-COLLAR32 Available for 1<sup>3</sup>/<sub>8</sub>" Thick Doors

## Face and Strike Plates



## Deadbolt Strike Plates

