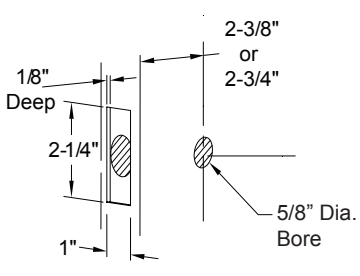
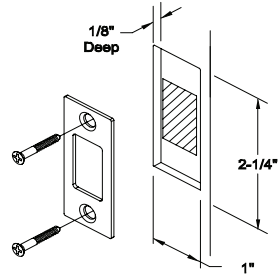
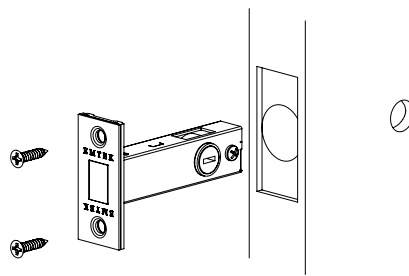
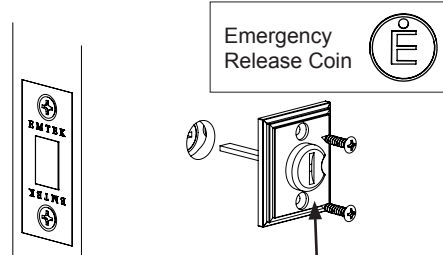
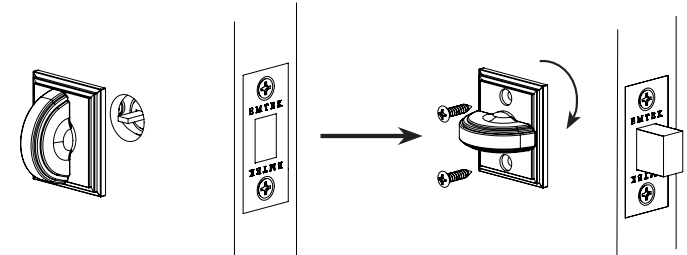


Installation Guide for Mix Match Thumbturn Privacy Bolts

1. Door Prep	2. Door Jamb	3. Install Latch
 <p>18" Deep</p> <p>2-1/4"</p> <p>1"</p> <p>2-3/8" or 2-3/4"</p> <p>5/8" Dia. Bore</p>	 <p>1/8" Deep</p> <p>2-1/4"</p> <p>1"</p>	

Installation for Double Rosette Configuration with Occupancy Indicator

A. Install exterior trim	B. Install Interior Trim
 <p>Emergency Release Coin</p> <p>Install with the green color visible and orientated towards the hinge side of the door.</p>	 <p>To ensure thumbturn rotates smoothly, test the tailpiece alignment before mounting wood screws.</p>