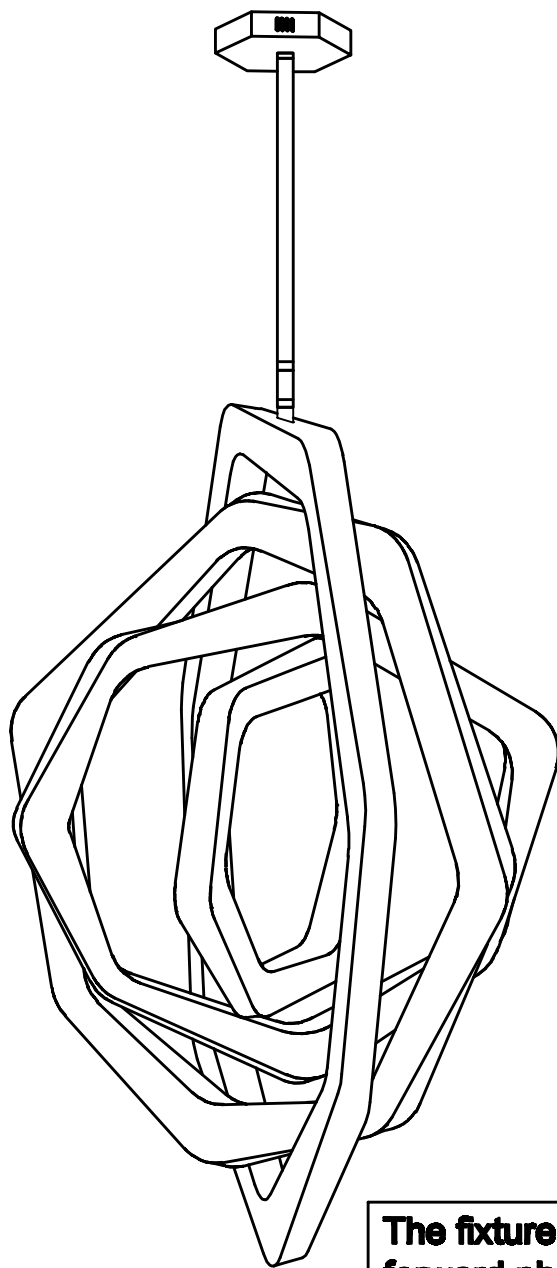


PRODUCT NAME:Boulder LED Pendant
ITEM NUMBER: E20027

Please consult your electrician for hanging fixture and wiring.



WARNING: Wires need to be connected to driver found in canopy and should not be connected directly to power source or a short may occur.

The fixture is designed to dim with a standard Triac forward phase dimmer.

Dimming levels will vary by dimmer.

Below is a list of recommended dimmers:

Lutron MACL-153M

Lutron DVL-153P

Lutron SCL-153P

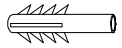
Leviton IPL06-10Z

Leviton 6674-POW

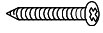
Due to inrush current wattage should not exceed 150 watts of product for a 600 watt dimmer.

Bulbs (integrated): LED 48W

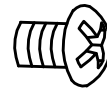
IMPORTANT: Turn off the power at the main fuse or circuit breaker box before starting installation



Screws*2PCS

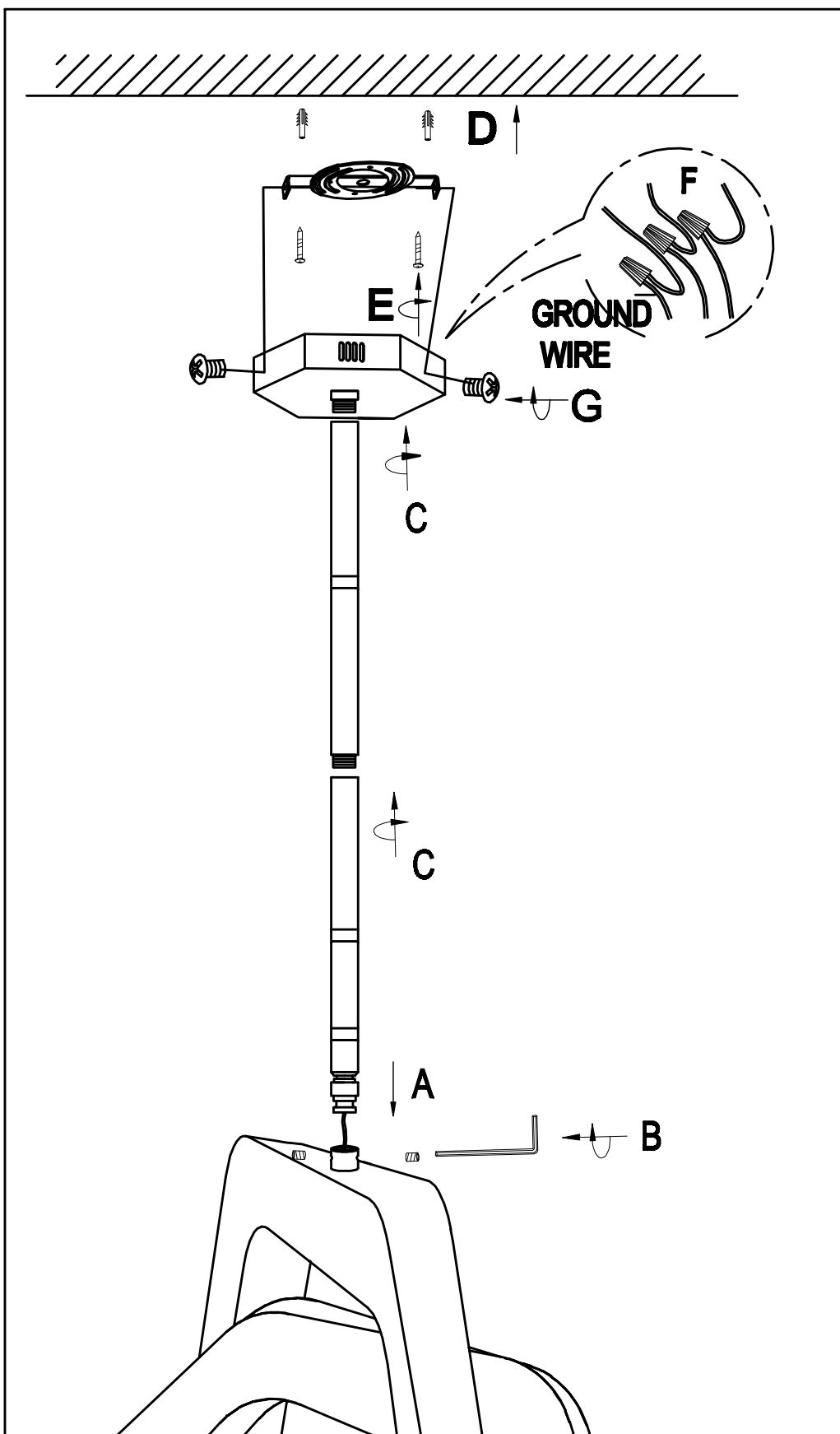


Bracket

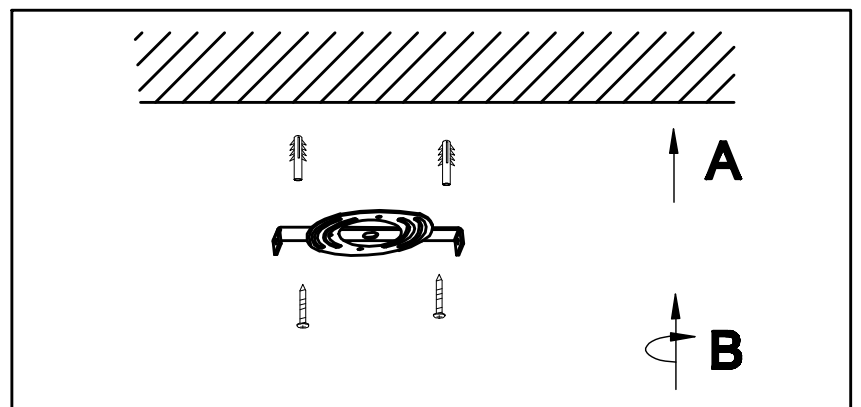


Mounting Screws*2PCS

Locate all hardware & components before discarding packaging

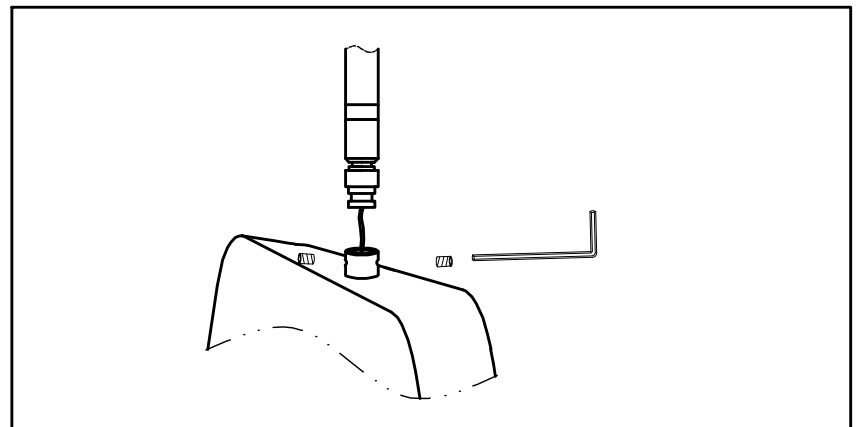


1.)



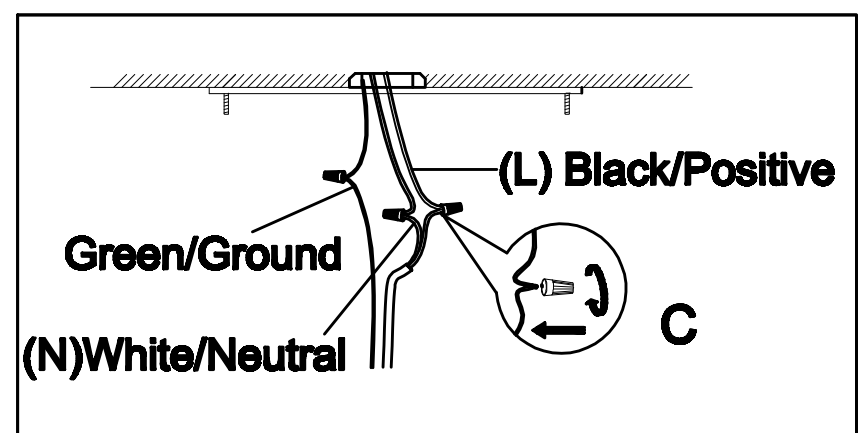
Step 1: Remove mounting bracket from fixture and install to electrical box.

2.)



Step 2: Combine stem length first (C) then insert the stem into lamp frame (A) to make sure tighten the screws. (B)

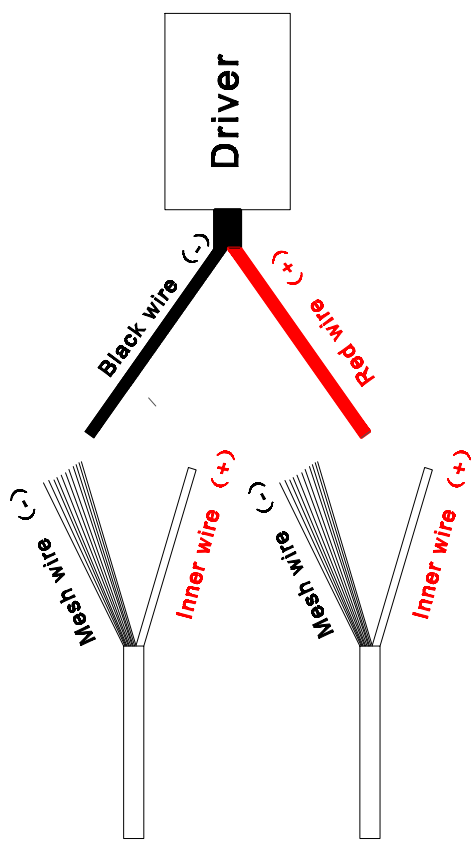
3.)



Step 3: Connect fixture red/black wires to driver red/black wires using terminal block in the canopy. Wire black/white wires to wires in outlet box.

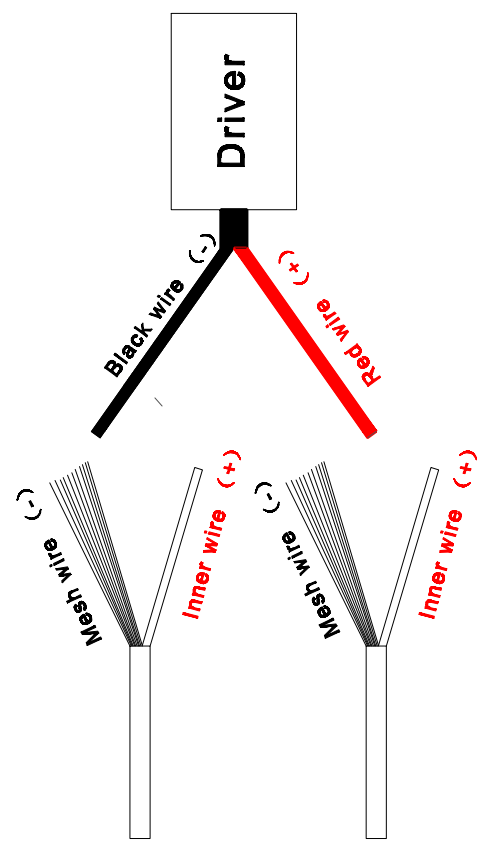
Cleaning & Care:
You may use talcum powder and a soft cloth for cleaning. Do not use abrasive cleaner.

LED-D40V-700



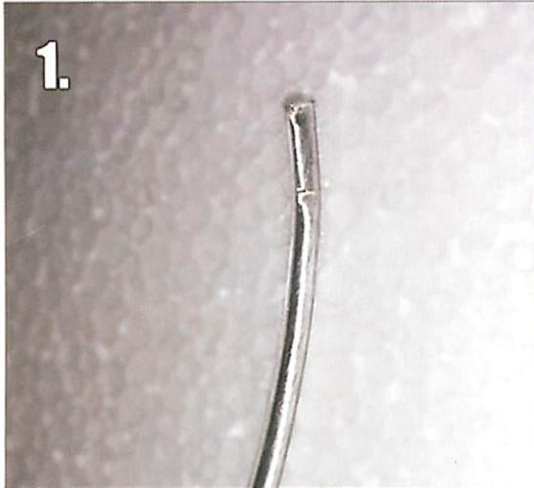
... 12 X 2W...

LED-D40V-700



... 12 X 2W...

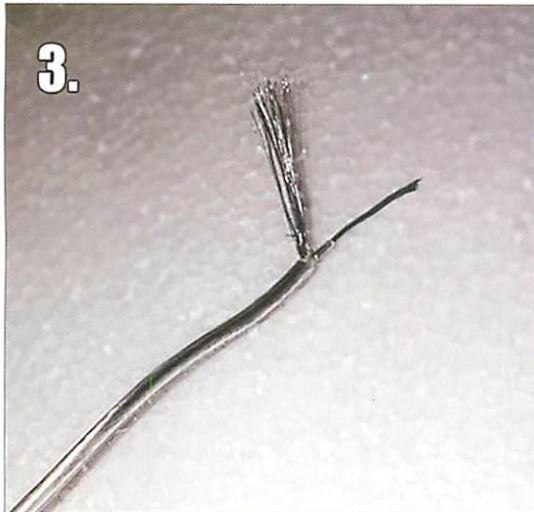
Dual Plastic Wiring Instructions



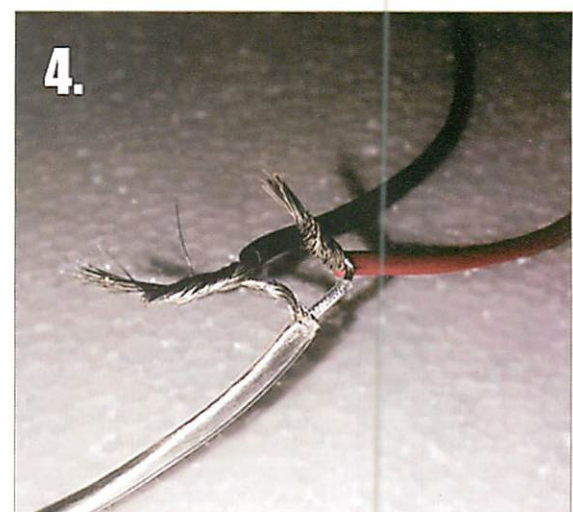
Strip the clear plastic off the pendant electrical wire.



Exposed is the mesh wire and the inner wire.



Pull the mesh wire away to isolate the inner wire. The inner wire will also have a plastic coat that needs to be stripped.



Once the two wires are formed, connect the mesh wire (ground) to the black wire and the inner wire to the red wire (live).