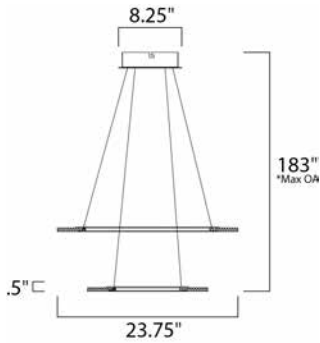




PRODUCT DESCRIPTION

A new variation of a very popular series with many different configurations many of which are large scale for commercial applications. Metal rings of Matte Silver support horizontal acrylic diffusers which glow when illuminated by dimmable LED.



*max overall height

MEASUREMENTS

- DIMENSION : 23.75" L x 23.75" W x 8" H
- MAX OAH : 183" OAH
- CANOPY : 8.25" W x 2" H x 8.25" L
- HANGING WEIGHT : 12.87 lb

LAMPING

- INPUT VOLTAGE : 120V
- LUMENS : 2,520 Rated (1,950 Del.)
- BULB : 2 x 36W LED PCB Integrated , 36W Total
- BULB INCLUDED : (Integrated)
- DIMMABLE : Triac CL
- CRI : 80+ CRI
- COLOR_TEMP : 3000K

FINISHES OPTION

- Matte Silver

GLASS

- Matte White 11

MATERIAL

- Aluminum, Acrylic

RATINGS

- cETLus
- Dry Location



ADDITIONAL

- OPERATING TEMPERATURE:
-20°C (-4°F), 40°C (104°F)

Always consult a qualified electrician before installing any lighting product.