

PRODUCT DESCRIPTION

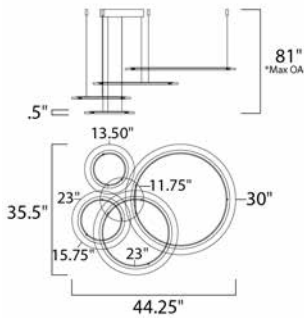
A new variation of a very popular series with many different configurations many of which are large scale for commercial applications. Metal rings of Matte Silver support horizontal acrylic diffusers which glow when illuminated by dimmable LED.

MEASUREMENTS

DIMENSION : 44.25" L x 35.5" W x 12.5" H
 MAX OAH : 81" OAH
 CANOPY : 11.75" W x 2" H x 11.75" L
 HANGING WEIGHT : 22.24 lb

LAMPING

INPUT VOLTAGE : 120V
 LUMENS : 5,810 Rated (3,950 Del.)
 BULB : 4 x 83W LED PCB Integrated , 83W Total
 BULB INCLUDED : (Integrated)
 DIMMABLE : Triac CL
 CRI : 80+ CRI
 COLOR_TEMP : 3000K



*max overall height of fixture

FINISHES OPTION

 Matte Silver

GLASS

Matte White 11

MATERIAL

Aluminum, Acrylic

RATINGS

cETLus
 Dry Location



ADDITIONAL

ADJUSTABLE
 OPERATING TEMPERATURE:
 -20°C (-4°F), 40°C (104°F)

Always consult a qualified electrician before installing any lighting product.