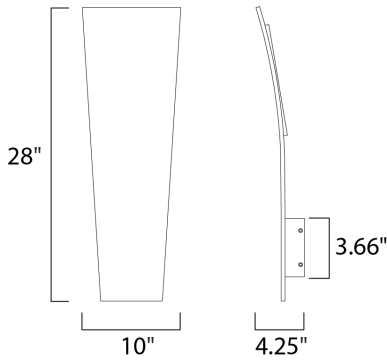




PRODUCT DESCRIPTION

Bring the outdoors inside with our line of Architectural high quality interior and exterior wall sconces. European in design and machined out of blocks of solid Aluminum, these sconces have both the look and quality expected for the discriminate buyer. High powered LEDs create dramatic light effects and most are approved for wet location applications.






MEASUREMENTS

DIMENSION : 10" W x 28" H x 4.25" Ext
 BACK PLATE : 3.66" W x 3.66" H x 24" HCO
 HANGING WEIGHT : 8.8 lb

LAMPING

LUMENS : 1,960 Rated
 BULB : 2 x 14W LED PCB Integrated , 28W Total
 BULB INCLUDED : (Integrated)
 DIMMABLE : Electronic Low Voltage (ELV)
 CRI : 90+ CRI
 COLOR_TEMP : 3000K
 LIGHTING_DIRECTION : Indirect

FINISHES OPTION

-  Bronze
-  Satin Aluminum
-  White

MATERIAL

Aluminum

RATINGS

cETLus
 Wet Location



ADDITIONAL

INSTALL UP/DOWN: UP/Down
 OPERATING TEMPERATURE:
 -20°C (-4°F), 40°C (104°F)

Always consult a qualified electrician before installing any lighting product.