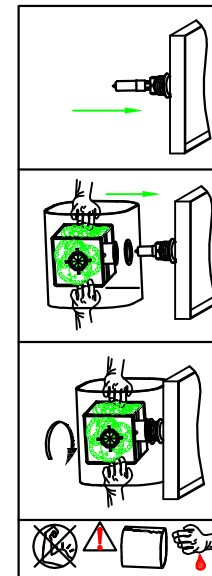
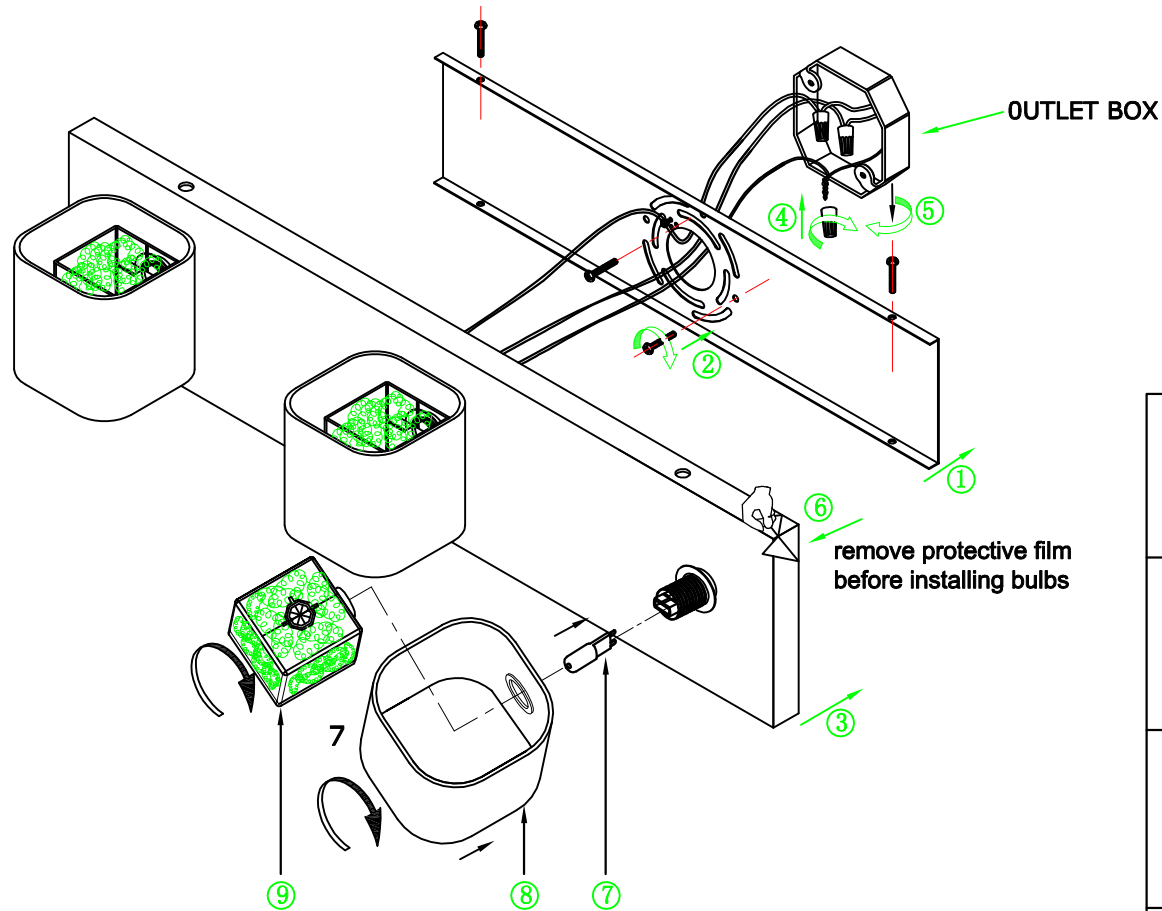


# INSTALLATION INSTRUCTION

## E22833-18SVPC



### FEATURE

- Lamp Type: G9 3×MAX 60W 120V~ 60HZ
- The lamp is for indoor use only