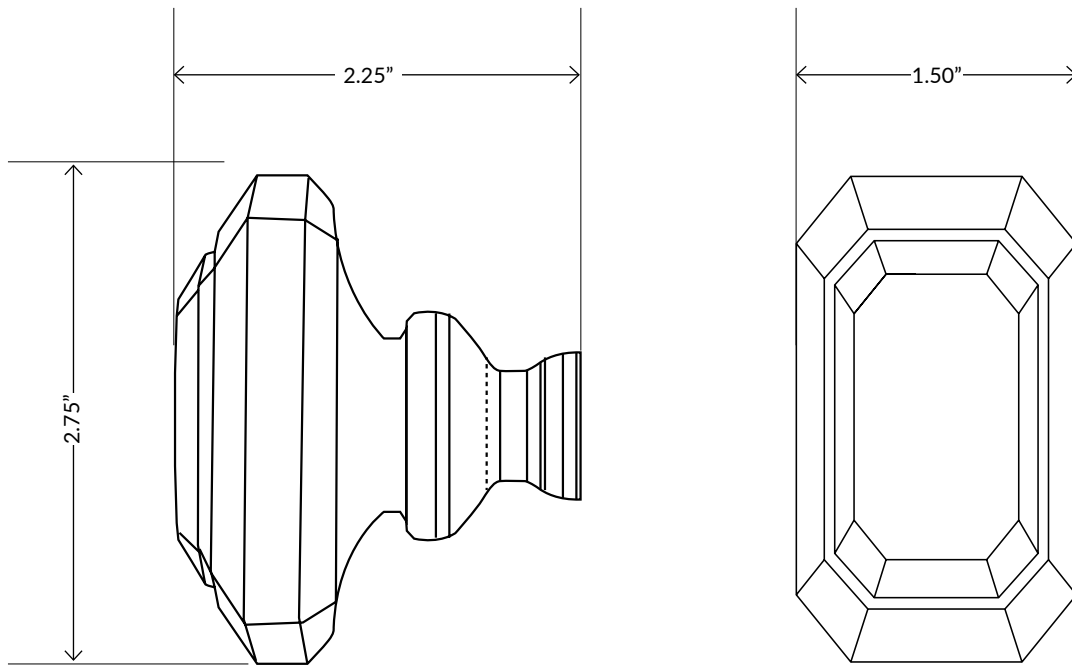


Baguette Black Crystal Knob



Baguette Black Crystal Knob in Polished Nickel

TECHNICAL SPECIFICATIONS

Collection:	Crystal
Dimensions:	1.5" W x 2.75" H
Projection:	2.25"
Material:	Lead-free Crystal on Solid Forged Brass Base

AVAILABLE FINISHES



ANTIQUE
PEWTER



BRIGHT
CHROME



LIFETIME
BRASS



POLISHED
BRASS



POLISHED
NICKEL



SATIN
BRASS



SATIN
NICKEL



TIMELESS
BRONZE



VINTAGE
BRASS