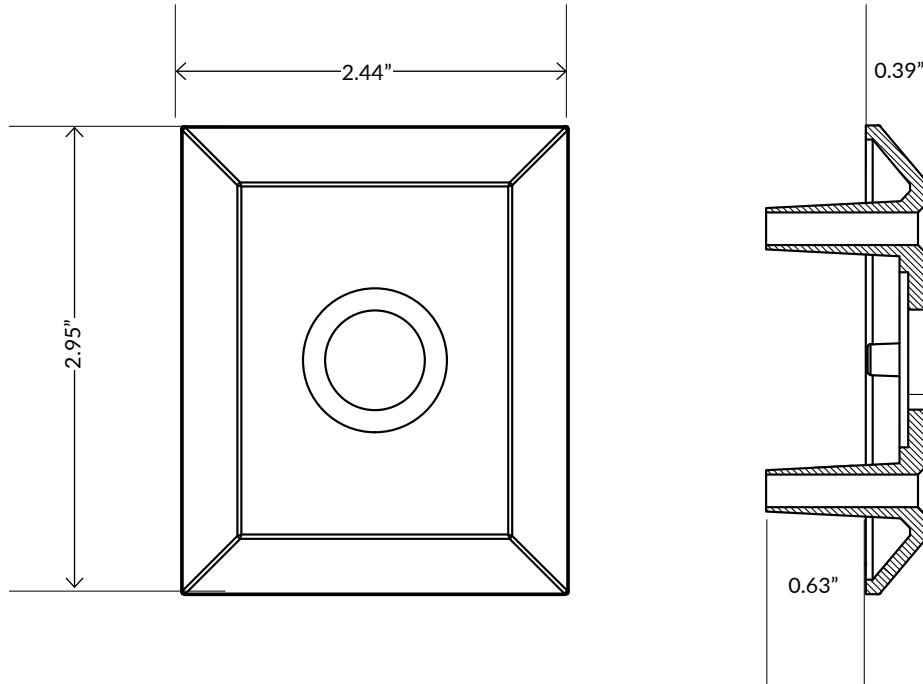


Fifth Avenue Rosette



Fifth Avenue Rosette in Satin Brass

TECHNICAL SPECIFICATIONS

| | |
|--------------------|--------------------|
| Collection: | Fifth Avenue |
| Dimensions: | 2.44" W x 2.95" H |
| Projection: | 0.39" |
| Material: | Solid Forged Brass |

AVAILABLE FINISHES



ANTIQUE
PEWTER



BRIGHT
CHROME



LIFETIME
BRASS



POLISHED
BRASS



POLISHED
NICKEL



SATIN
BRASS



SATIN
NICKEL



TIMELESS
BRONZE



VINTAGE
BRASS