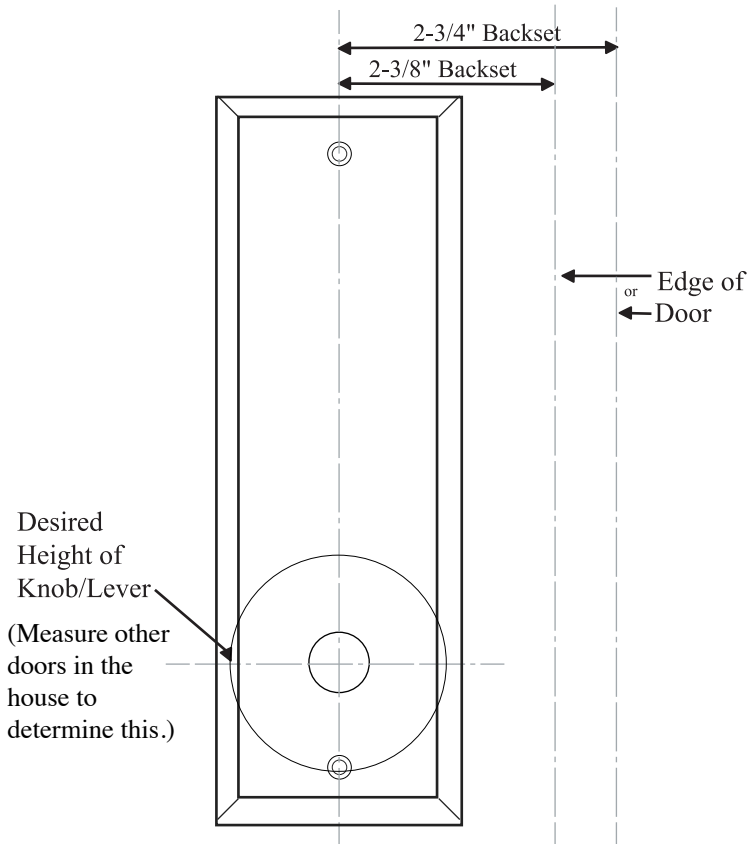


# Tall Plate Door Hardware Installation Instructions

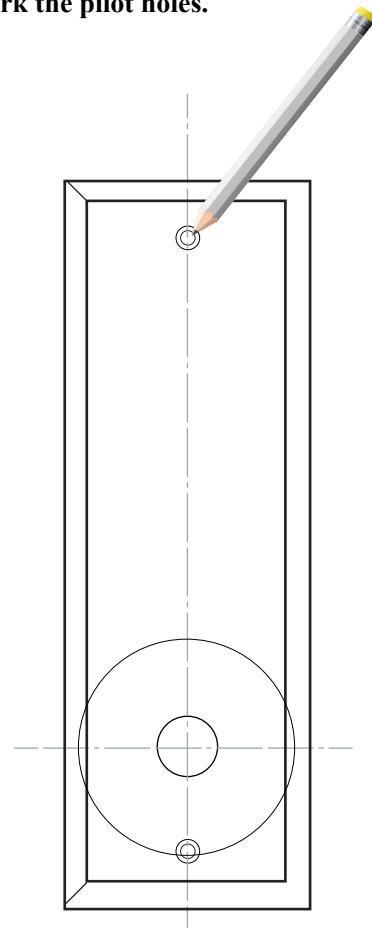
— For doors with or without a 2-1/8" cross-bore

Single Dummy

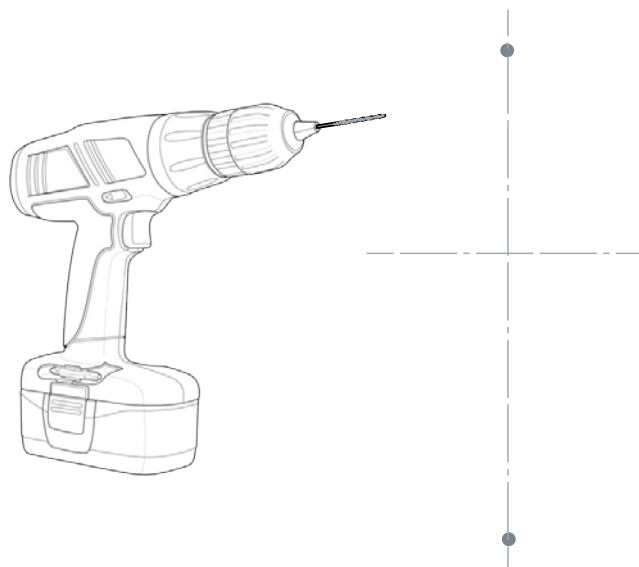
- A** Determine backset (distance between end of door and center of tall plate.) Check other doors in the house to determine backset.



- B** Mark the pilot holes.



- C** Using a 7/64" bit, drill pilot holes for the mounting screws 3/4" deep.



- D** Insert the mounting screws and tighten until snug.

