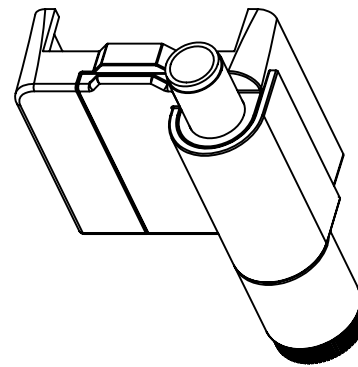
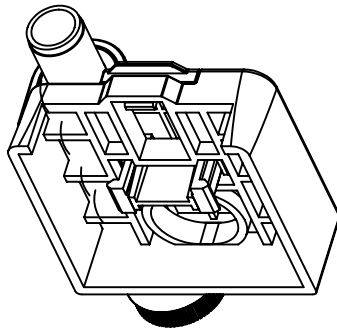
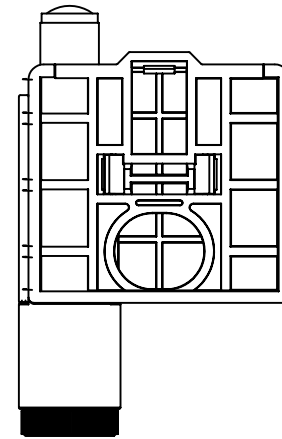
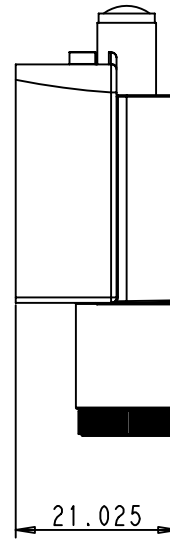
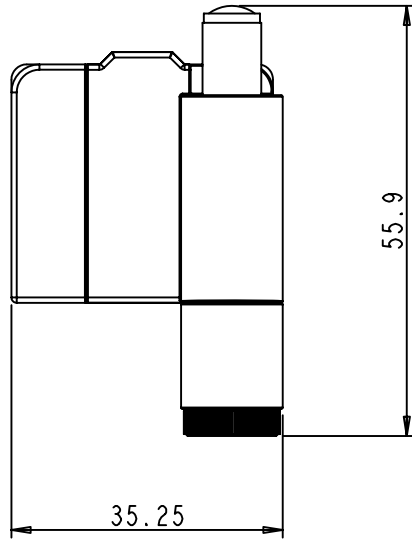

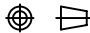


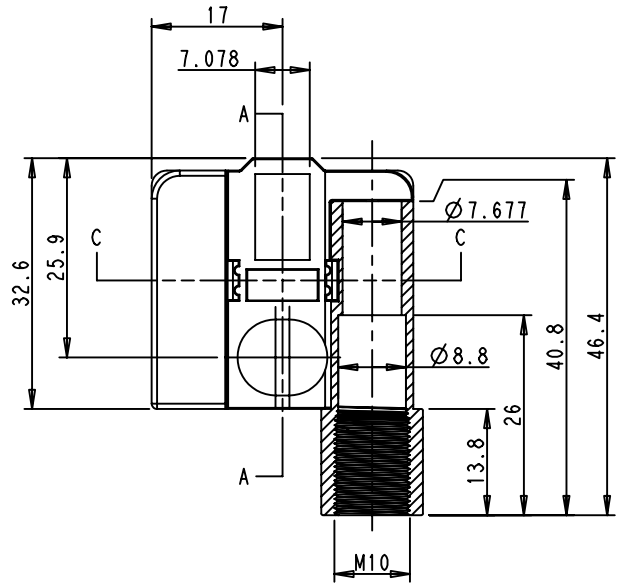
BILLS OF MATERIAL :

NO.	ITEM#	MATERIAL	QTY	UNIT	TOTL	WEIGHT	TYPE	ASSY LEVEL
4	3390-SC-PLUNGER	ASSEMBLY	1	2.20	2.20		PART	1
3	3390-SC-SCREW	ABS	1	1.00	1.00		PART	1
2	3390-SC-COVER	ABS	1	1.70	1.70		PART	1
1	3390-SC-SHELL	ABS	1	5.30	5.30		PART	1

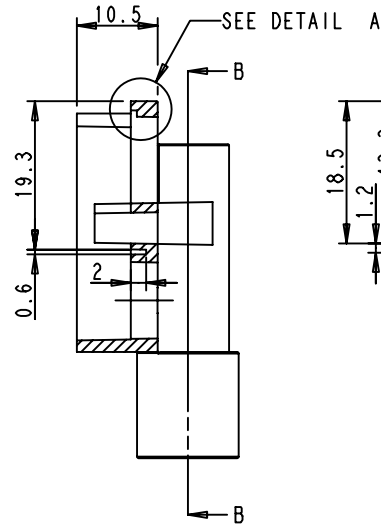
HARDWARE 4319 MARLENA ST, BOSSIER CITY, LA 71111 RESOURCES	ITEM#:	3390_SC		MATERIAL:	ASSEMBLY	
	FINISH:			WEIGHT:	10.20 g	
PROPRIETARY AND CONFIDENTIAL THE INFORMATION CONTAINED IN THIS DRAWING IS THE SOLE PROPERTY OF HARDWARE RESOURCES INC. ANY REPRODUCTION IN PART OR AS A WHOLE WITHOUT THE WRITTEN PERMISSION OF HARDWARE RESOURCES INC. IS PROHIBITED.	TOLERANCE UNLESS OTHERWISE SPECIFIED:		UNIT:	MM	DRAWN BY:	alan. bui
	X: MM ±0.20 X.X: MM ±0.10 X.XX: MM ±0.05 ANGULAR: ±0.5° DO NOT SCALE DRAWING		SIZE:	A4	CHECKED BY:	
			SHEET 1 OF 2	APPROVED BY:		DATE:



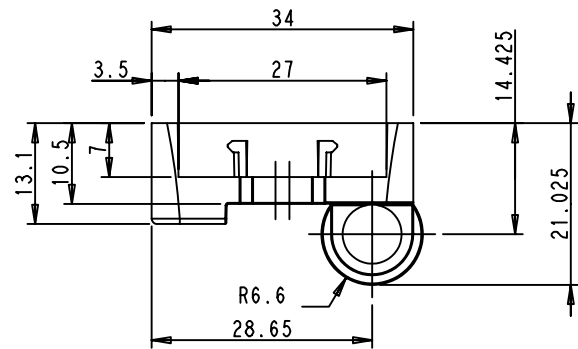
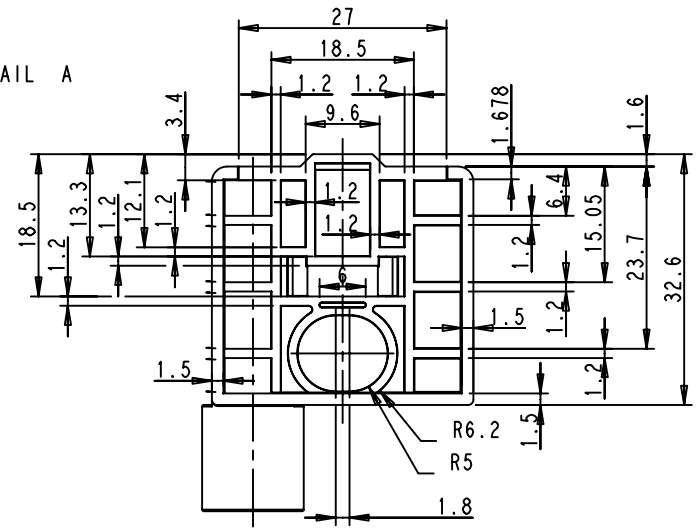
HARDWARE  4319 MARLENA ST, BOSSIER CITY, LA 71111 RESOURCES	ITEM#: 3390_SC FINISH:	MATERIAL: ASSEMBLY WEIGHT: 10.20 g PROJECTION: 
	TOLERANCE UNLESS OTHERWISE SPECIFIED: X: MM ±0.20 X.X: MM ±0.10 X.XX: MM ±0.05 ANGULAR: ±0.5° DO NOT SCALE DRAWING	UNIT: MM SIZE: A4 SHEET 2 OF 2
PROPRIETARY AND CONFIDENTIAL THE INFORMATION CONTAINED IN THIS DRAWING IS THE SOLE PROPERTY OF HARDWARE RESOURCES INC. ANY REPRODUCTION IN PART OR AS A WHOLE WITHOUT THE WRITTEN PERMISSION OF HARDWARE RESOURCES INC. IS PROHIBITED.		



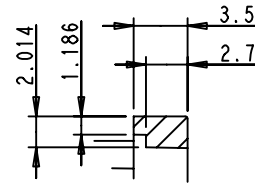
SECTION B-B



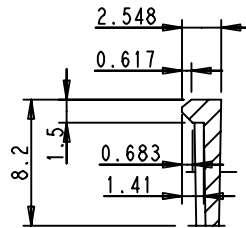
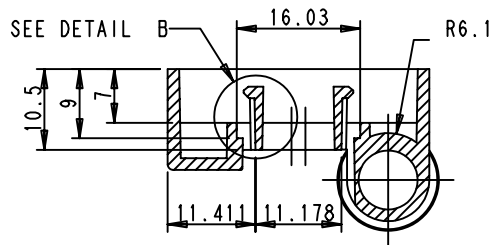
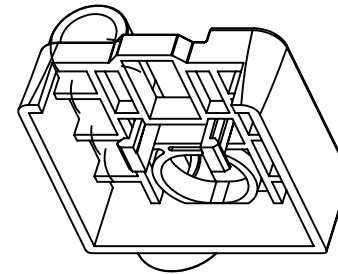
SECTION A-A




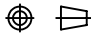
SECTION C-C

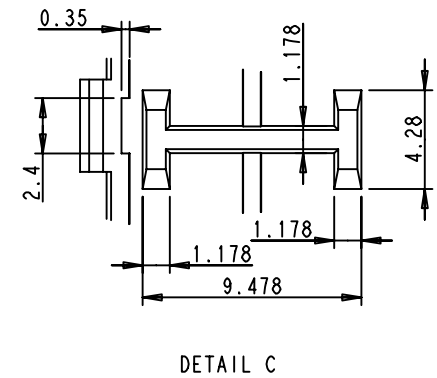
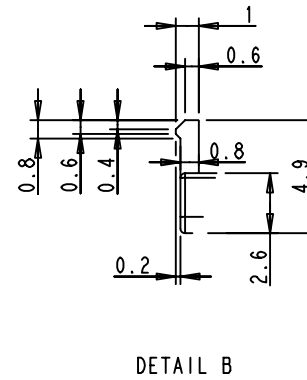
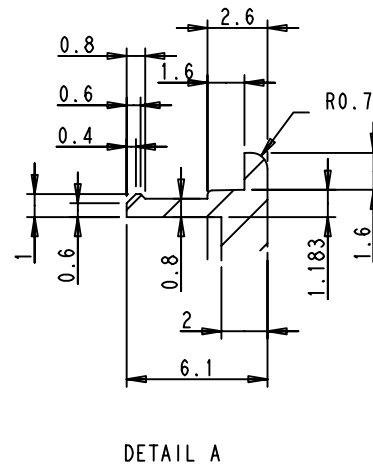
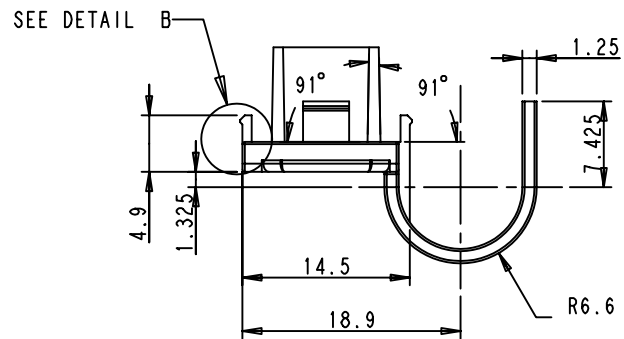
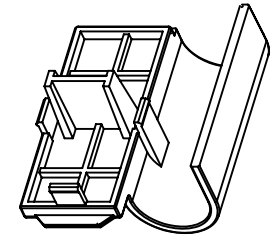
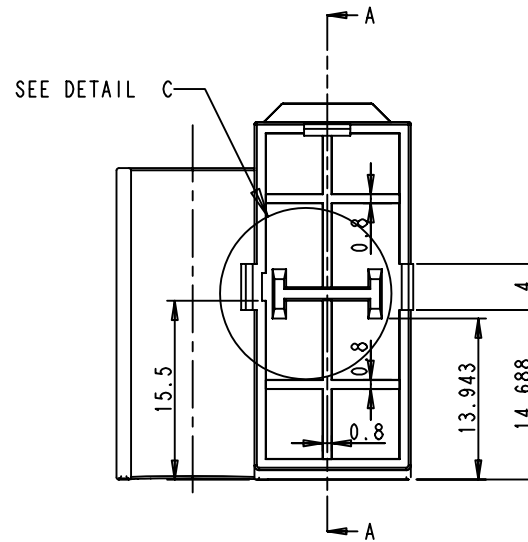
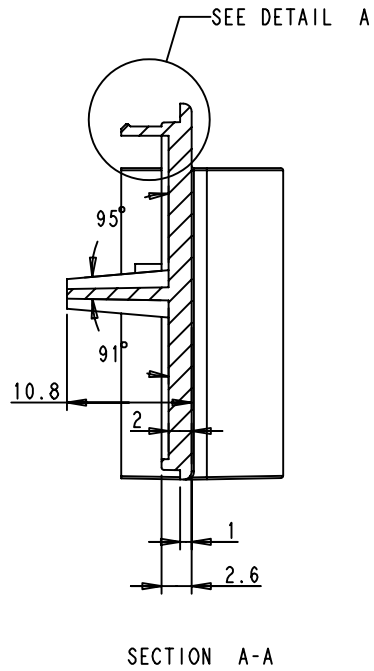
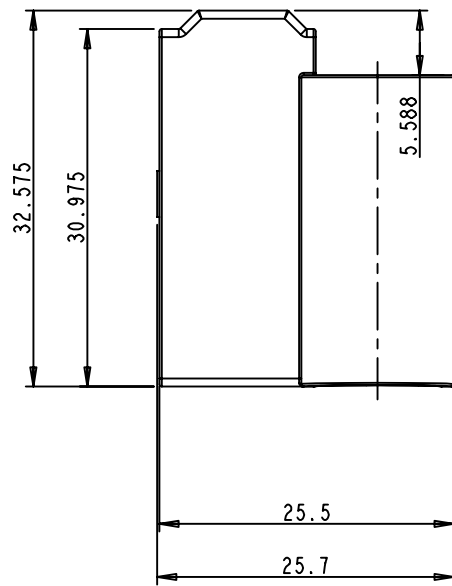



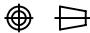
DETAIL A
SCALE 2:1

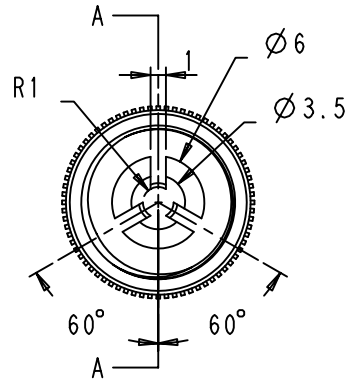


DETAIL B
SCALE 2:1

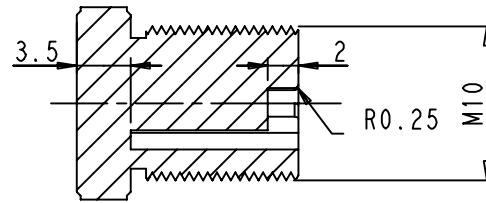
HARDWARE  4319 MARLENA ST. BOSSIER CITY, LA 71111 RESOURCES	ITEM#: 3390-SC-SHELL	MATERIAL: ABS		
	FINISH:	WEIGHT: 5.300 g		
PROPRIETARY AND CONFIDENTIAL	PROJECTION: 		DATE:	
THE INFORMATION CONTAINED IN THIS DRAWING IS THE SOLE PROPERTY OF HARDWARE RESOURCES INC. ANY REPRODUCTION IN PART OR AS A WHOLE WITHOUT THE WRITTEN PERMISSION OF HARDWARE RESOURCES INC. IS PROHIBITED.	TOLERANCE UNLESS OTHERWISE SPECIFIED: X: MM ±0.20 X.X: MM ±0.10 X.XX: MM ±0.05 ANGULAR: ±0.5° DO NOT SCALE DRAWING	UNIT: MM	DRAWN BY: <i>alan.bui</i>	DATE:
		SIZE: A4	CHECKED BY:	DATE:
		SHEET 1 of 1	APPROVED BY:	DATE:



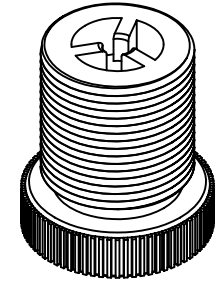
HARDWARE  4319 MARLENA ST. BOSSIER CITY, LA 71111 RESOURCES PROPRIETARY AND CONFIDENTIAL	ITEM#: 3390-SC-COVER	MATERIAL:	
	FINISH:	WEIGHT: g	
THE INFORMATION CONTAINED IN THIS DRAWING IS THE SOLE PROPERTY OF HARDWARE RESOURCES INC. ANY REPRODUCTION IN PART OR AS A WHOLE WITHOUT THE WRITTEN PERMISSION OF HARDWARE RESOURCES INC. IS PROHIBITED.	TOLERANCE UNLESS OTHERWISE SPECIFIED: X: MM ±0.20 X.X: MM ±0.10 X.XX: MM ±0.05 ANGULAR: ±0.5° DO NOT SCALE DRAWING	PROJECTION: 	
	UNIT: MM SIZE: A4 SHEET 1 OF 1	DRAWN BY: <i>alan.tau</i> CHECKED BY: APPROVED BY:	DATE: DATE: DATE:



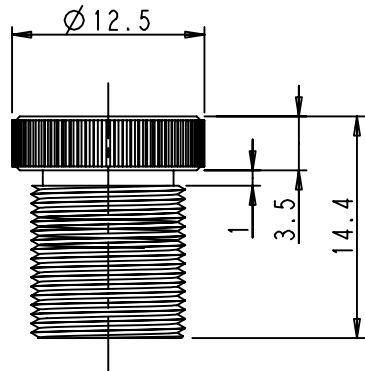
SCALE 2:1




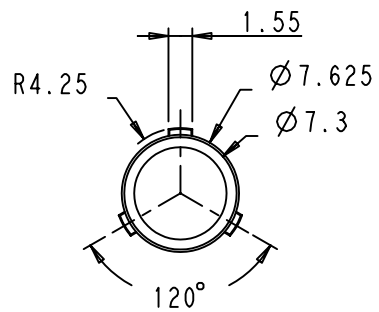
SECTION A-A



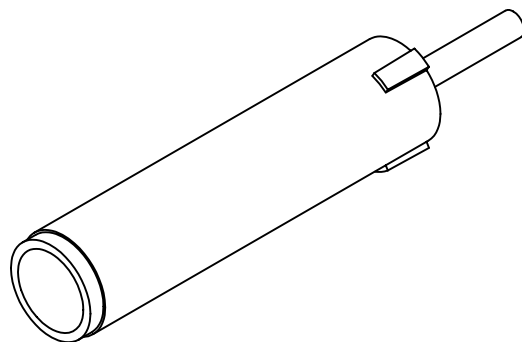
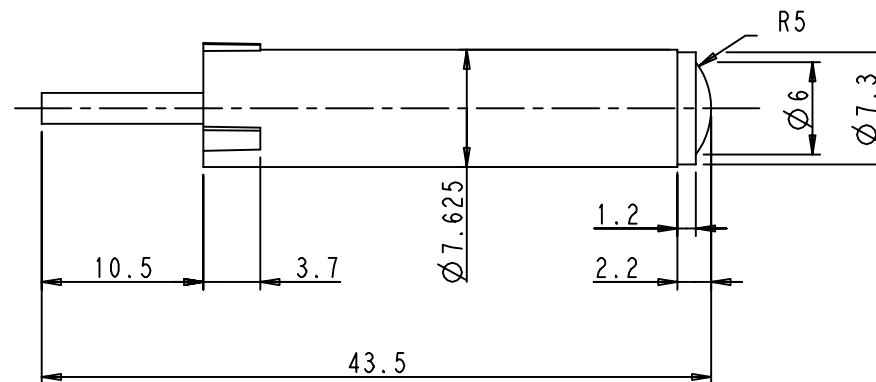
SCALE 2:1




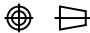
HARDWARE  4319 MARLENA ST, BOSSIER CITY, LA71111 RESOURCES	ITEM#:	3390-SC-SCREW		MATERIAL:	ABS		
	FINISH:			WEIGHT:	1.0 g		
PROPRIETARY AND CONFIDENTIAL THE INFORMATION CONTAINED IN THIS DRAWING IS THE SOLE PROPERTY OF HARDWARE RESOURCES INC. ANY REPRODUCTION IN PART OR AS A WHOLE WITHOUT THE WRITTEN PERMISSION OF HARDWARE RESOURCES INC. IS PROHIBITED.	TOLERANCE UNLESS OTHERWISE SPECIFIED:		UNIT:	MM	DRAWN BY:	<i>alan.bui</i>	DATE:
	X: MM ± 0.20		SIZE:	A4	CHECKED BY:		DATE:
	X.X: MM ± 0.10		ANGULAR:	$\pm 0.5^\circ$	SHEET 1 OF 1	APPROVED BY:	
DO NOT SCALE DRAWING							



SCALE 2:1



SCALE 2:1

HARDWARE  4319 MARLENA ST, BOSSIER CITY, LA 71111 RESOURCES	ITEM#: 3390-SC-PLUNGER	MATERIAL: ASSEMBLY
	FINISH:	WEIGHT: 2.2 g
PROPRIETARY AND CONFIDENTIAL THE INFORMATION CONTAINED IN THIS DRAWING IS THE SOLE PROPERTY OF HARDWARE RESOURCES INC. ANY REPRODUCTION IN PART OR AS A WHOLE WITHOUT THE WRITTEN PERMISSION OF HARDWARE RESOURCES INC. IS PROHIBITED.	TOLERANCE UNLESS OTHERWISE SPECIFIED: X: MM ±0.20 X.X: MM ±0.10 X.XX: MM ±0.05 ANGULAR: ±0.5° DO NOT SCALE DRAWING	PROJECTION: 
	UNIT: MM SIZE: A4	DRAWN BY: <i>alan.bui</i> CHECKED BY: APPROVED BY:
	SHEET 1 OF 1	DATE: DATE: DATE: