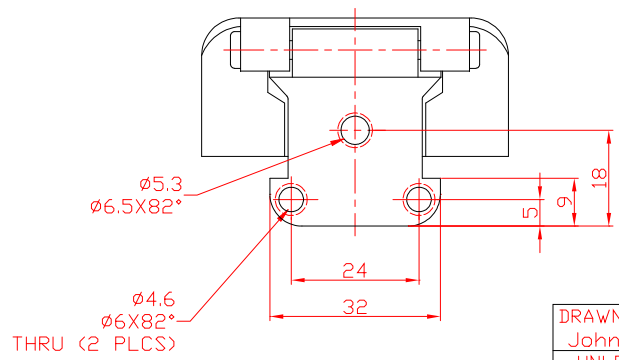
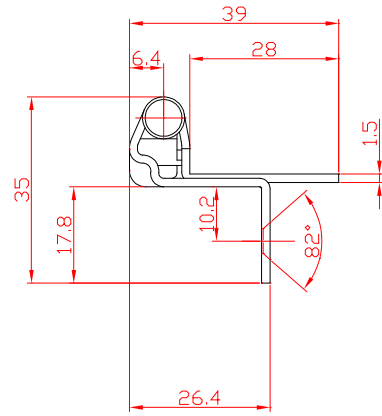


4.7 WIDE X 9.0 LG THRU (2 PLCS)



|   |               |                   |   |
|---|---------------|-------------------|---|
| DRAWN BY:<br>John Lai   | SCALE:<br>1/1 | DATE:<br>08/06/01 | HARDWARE RESOURCES                      |
| UNLESS OTHERWISE SPECIFIED DIMENSIONS AND TOLERANCING ARE IN MILLIMETERS (INCHES) |               |                   | 4319 MARLENA ST, BOSSIER CITY, LA 71111 |
| TOLERANCES  |               |                   | MATERIAL: STEEL                         |
| .X ± .1   |               |                   | PART NAME:                              |
| .XX ± .03   |               |                   | ITEM NO: H7441                          |
| .XXX ± .005   |               |                   | PLATING: BB                             |