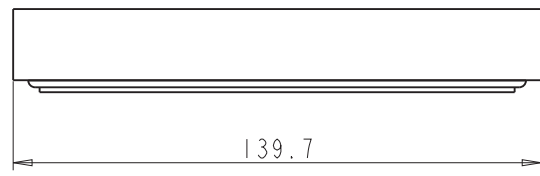
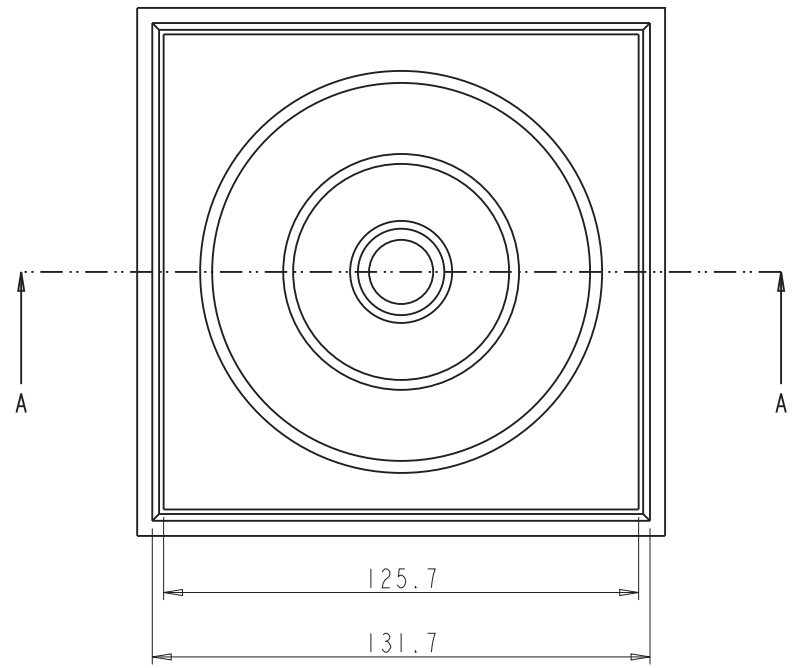
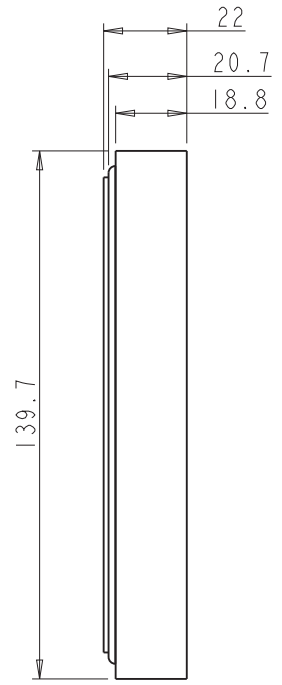
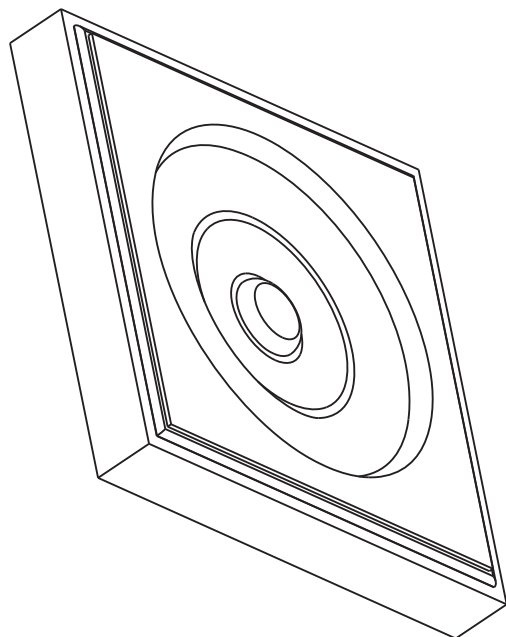


SECTION A-A



	ITEM:	ROS6		MATERIAL:	WOOD
	FINISH:			WEIGHT:	0.000 g
	PROJECTION			DATE:	05-08-15
	PROPRIETARY AND CONFIDENTIAL THE INFORMATION CONTAINED IN THIS DRAWING IS THE SOLE PROPERTY OF HARDWARE RESOURCES INC. ANY REPRODUCTION IN PART OR AS A WHOLE WITHOUT THE WRITTEN PERMISSION OF HARDWARE RESOURCES INC. IS PROHIBITED.	TOLERANCE UNLESS OTHERWISE SPECIFIED:	UNITS:	MM	DRAWN BY:
X ±0.20 XX ±0.10 XXX ±0.05 ANGULAR: ±0.5°	SIZE:	A4	APPROVED BY:	DATE:	
DO NOT SCALE DRAWING	SHEET:	1 OF 1	RELEASE LEVEL:	REVISION:	